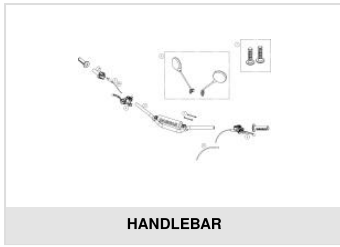


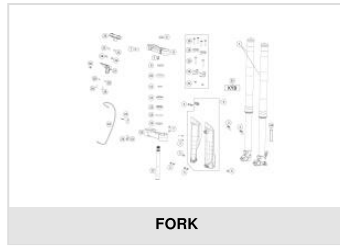


MR 200 RANGER WHITE 2023

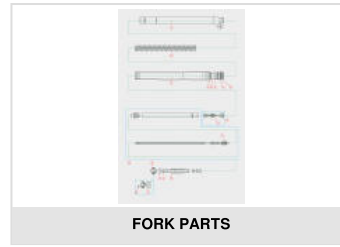
Exploded



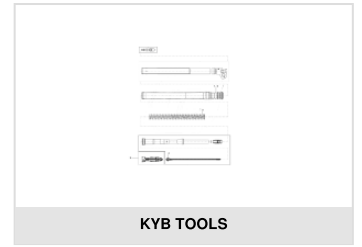
HANDLEBAR



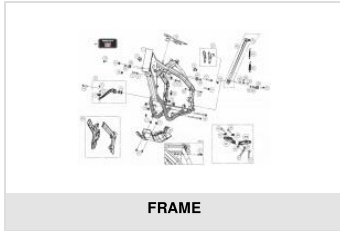
FORK



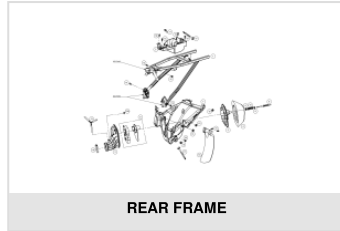
FORK PARTS



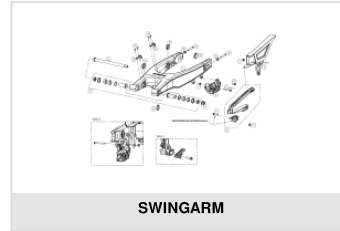
KYB TOOLS



FRAME



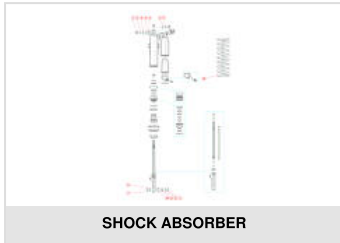
REAR FRAME



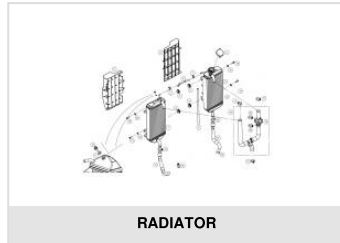
SWINGARM



SHOCK ABSORBER



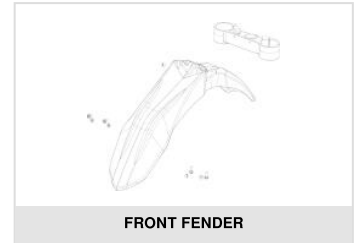
SHOCK ABSORBER



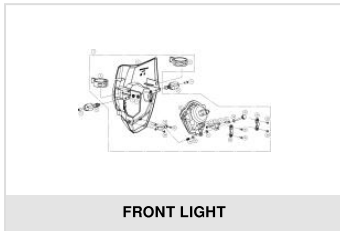
RADIATOR



ELECTRICAL PARTS



FRONT FENDER



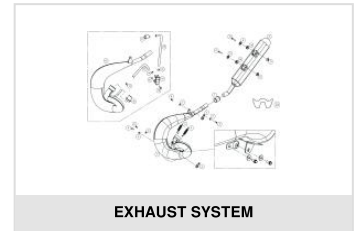
FRONT LIGHT



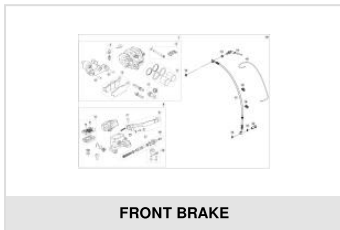
TANK



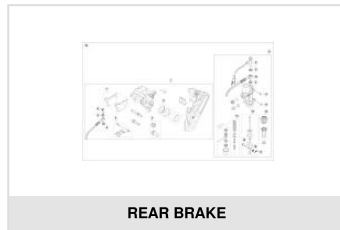
REAR FAIRING



EXHAUST SYSTEM



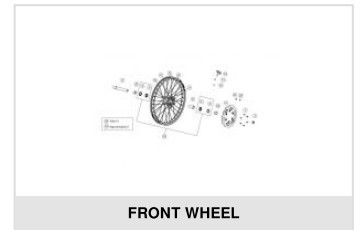
FRONT BRAKE



REAR BRAKE



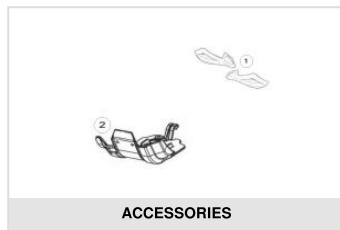
CLUTCH CONTROL



FRONT WHEEL



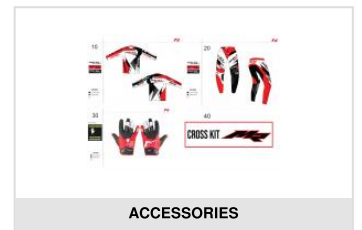
REAR WHEEL



ACCESSORIES



STICKERS



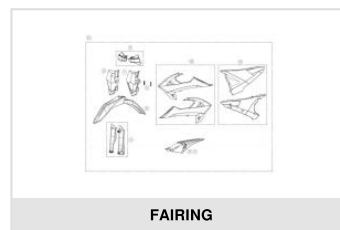
ACCESSORIES



ELECTRICAL FAN

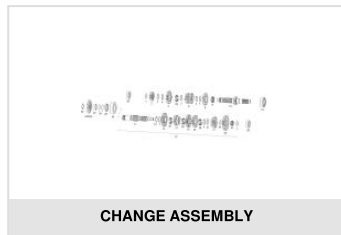
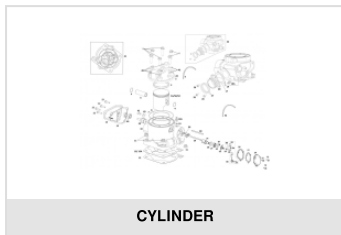
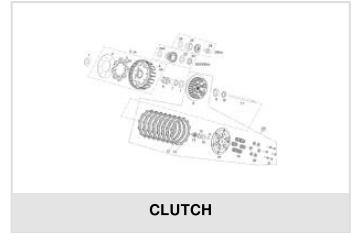
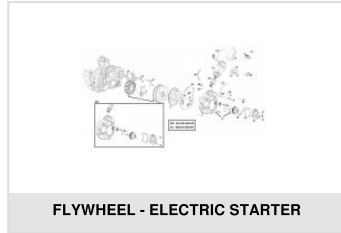
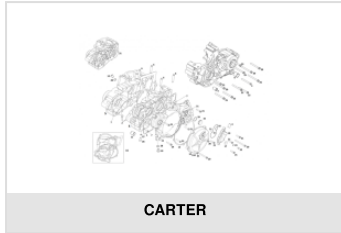
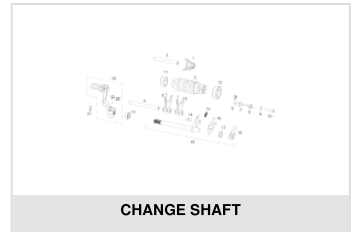
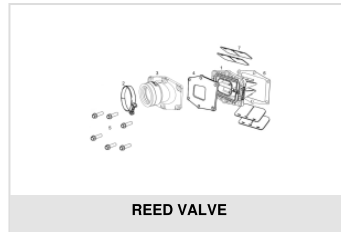
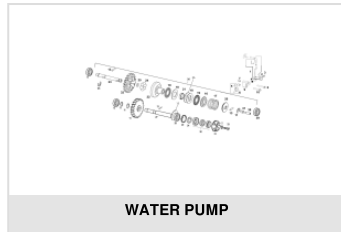
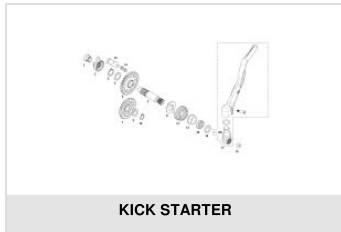


TRANSPARENT STICKER

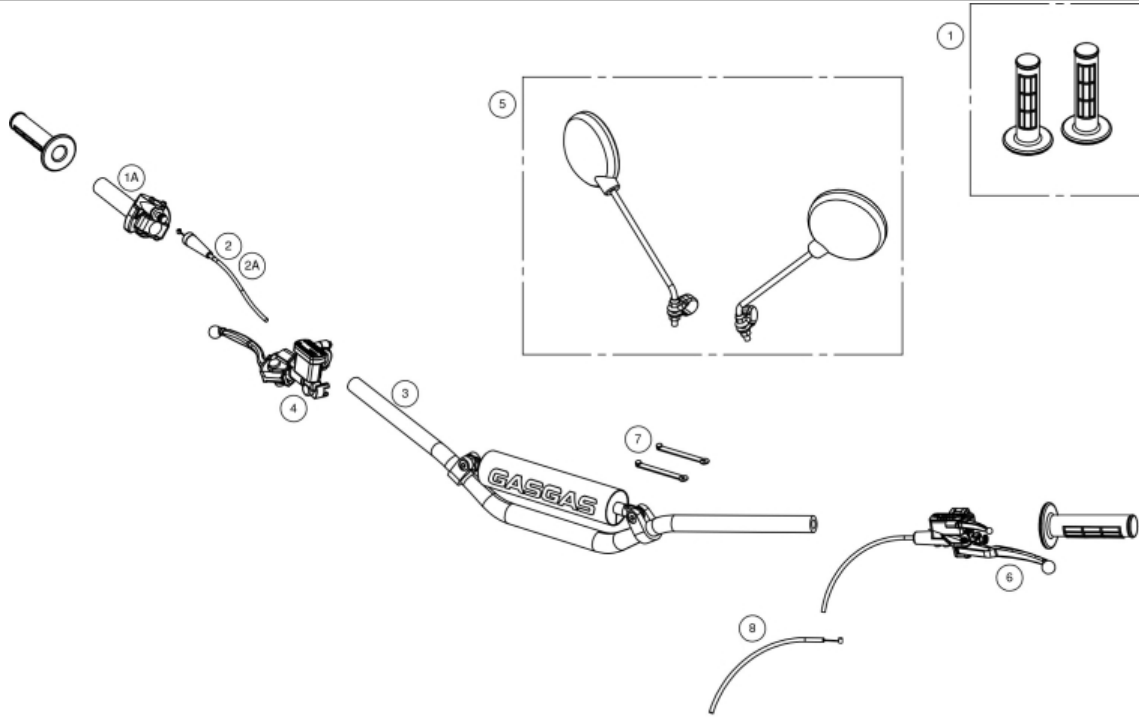


FAIRING

ENGINE MR 2022 V1

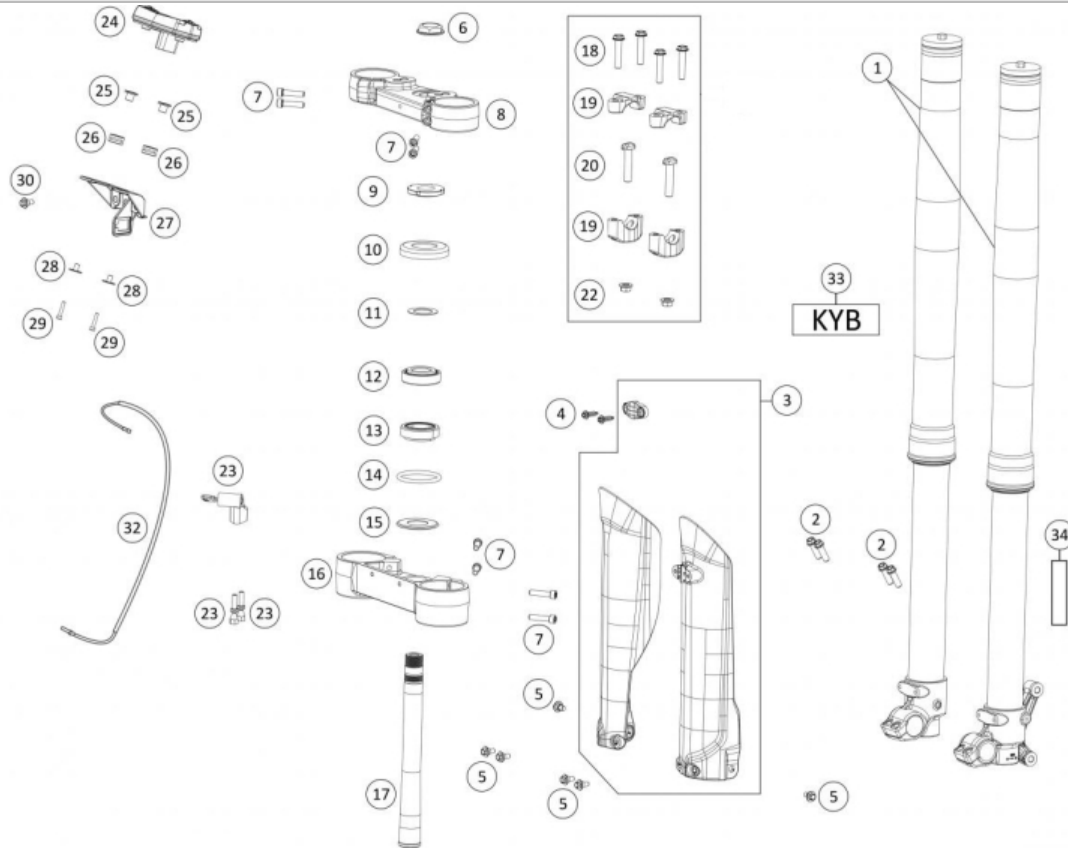


HANDLEBAR



1	BLACK GRIP SET 0/000.530.9101 (u. 1)	
1A	THROTTLE GRIP TT (3291.03.00-1) 0/000.530.9100 (u. 1)	
2	THROTTLE CABLE ENDURO 2018 0/000.550.9101 (u. 1)	
2A	THROTTLE CABLE ENDURO 2018 HOMOLOGATION 0/000.550.9102 (u. 1)	
3	EC RACING HANDLEBAR 2014 0/000.170.9100 (u. 1)	Obsolete
4	FRONT BRAKE PUMP ECRANGER BE61000CT-CTR-1 (u. 1)	
5	SET REARVIEW MIRROR (REG 81) 0/000.990.9100 (u. 1)	
6	SET MAGURA CLUTCH PUMP, 9.5 (167) 0/000.830.9101 (u. 1)	
7	LONG CLAMP FIX.INST.2237 0/000.680.0060 (u. 2)	
	RUBBER CABLE HOLDER 0/000.360.9110 (u. 2)	
8	STARTER CABLE ENDURO 2018 0/000.550.9100 (u. 1)	

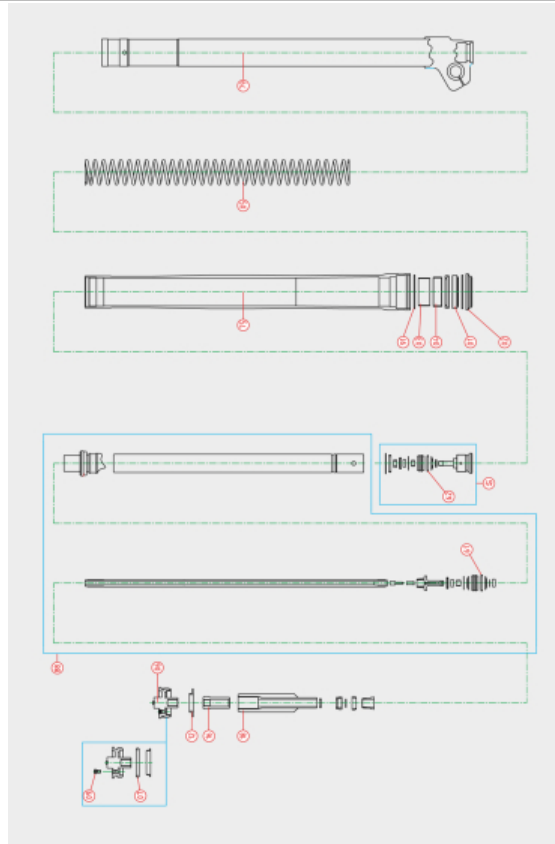
FORK



1	SET SUSPENSION MR RANGER 0/K00.130.9102 (u. 1)	
2	SCREW SPECIAL 8X25 GEOMET 10.9 0/000.460.9137 (u. 4)	Obsolete
	HEX. BOLT DIN 6921 TX40 M8x25 GRADE 10.9 GEOMET 0/000.460.9194 (u. 4)	
3	SET OF FORK PROTECTORS MR WHITE 0/000.220.9144 (u. 1)	
4	TORNILLO ESPECIAL ROSCA PLASTICO CABOTA HEXAGONAL T0806020 (u. 2)	Obsolete
	BOLT TANK-SEAT Ø6x23 (EJOT ref. 05100519) T0806023 (u. 2)	
	TANK SCREW - SEAT Ø6x23 0/000.460.9177 (u. 2)	
	PLASTIC THREAD SCREW HEX.6 WITH WASHER 6x20 0/000.460.9178 (u. 2)	
5	HEXAGONAL FLANGE SCREW DIN 6921 M6X8 WITH CENTERING 0/000.460.9162 (u. 6)	Obsolete
6	UPPER STEERING NUT 0/000.340.9102 (u. 1)	
7	ALLEN 7X30 DIN 912 ZINC 12.9 0/000.460.9151 (u. 10)	
8	UPPER SUSPENSION CLAMP PAMPERA 0/000.660.9103 (u. 1)	
9	LOWER STEERING NUT 0/000.340.9101 (u. 1)	
10	STEERING BEARING DUST COVER BLACK 0/000.200.9100 (u. 1)	
11	LOWER STEERING WASHER 0/000.440.9101 (u. 1)	

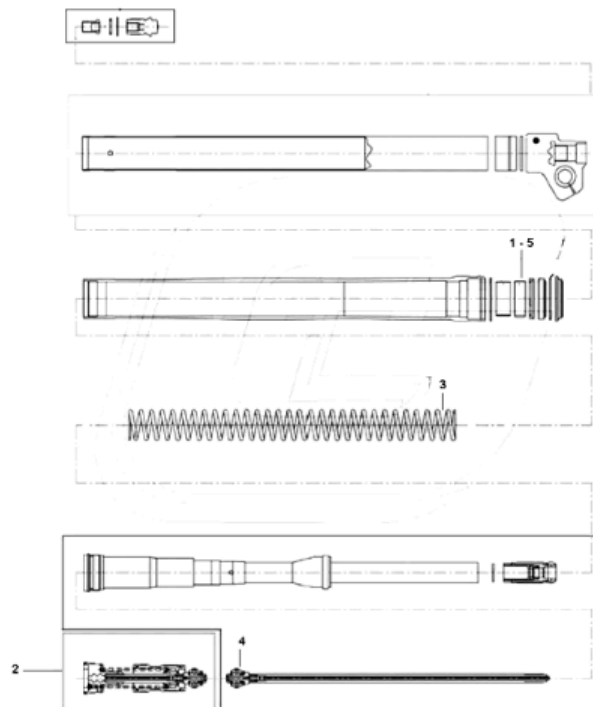
12	STEERING BEARING 30205A 0/000.960.9101 (u. 1)	
13	STEERING BEARING LOWER 320/28 0/000.960.9100 (u. 1)	
14	STEERING O-RING 50X5 0/000.490.9102 (u. 1)	
15	STEERING CUP D.28 0/000.200.9101 (u. 1)	
16	LOWER SUSPENSION CLAMP PAMPERA 0/000.660.9101 (u. 1)	
17	STEERING AXLE MR 300 0/000.190.9100 (u. 1)	
18	HEXAGONAL SCREW DIN 6921 M8x40 THREAD 31 GRADE 10.9 GEOMET 0/000.460.9140 (u. 4)	
19	KIT UPPER HANDLEBAR BRIDGES BLACK RANGER 0/K00.350.9103 (u. 1)	
20	10X45 SPECIAL BOLT G5 12.9 0/000.460.9113 (u. 2)	
22	NUT AUTOB.M10 PASO 1.50 WASHER DIN 6926 ZINC 8 0/000.340.9124 (u. 2)	Obsolete
	NUT DIN 6926 M10 GRADE 8 Z/WHITE 0/000.340.0182 (u. 2)	
23	ENDURO 2018 STEERING LOCK KIT BE15025CT-CLJ-1 (u. 1)	
24	SET MULTIFUNCTION "EVEREST" EC 2018 0/001.000.9100 (u. 1)	
25	WIDE FLANGE WASHER DIN 522 M4 STAINLESS STEEL 0/000.440.0044 (u. 2)	
	SCHNORR WASHER M4 STAINLESS STEEL 0/000.440.0043 (u. 2)	
26	SILENTBLOCK GROMMET FOR ODOMETER 0/000.360.4002 (u. 2)	
27	MULTIFUNCTION BRACKET EC 2018 0/000.980.9108 (u. 1)	Obsolete
28	MARKER BUSHING MR 0/000.480.9130 (u. 2)	
30	TORN.ESP. DIN 6921 Hex.8 TX30 C/Centrador 3,70 M6x7 Cal.10.9 GEOMET 0/000.460.9200 (u. 1)	
	HEX. HEAD SCREW DIN 6921 M6x7 WITH CENTERING 0/000.460.9161 (u. 1)	
32	ENDURO KMS ACCOUNT SENSOR 0/001.010.9100 (u. 1)	
33	KIT ADHESIVE SUSPENSION RED KYB 200 x 87 mm (x2) 0/K00.390.9142 (u. 1)	
	KIT ADHESIVE KAYABA ECRANGER BE95285GG-CTR-1 (u. 1)	Obsolete
	BLACK SUSPENSION STICKER KIT KYB 200 x 87 mm (x2) 0/K00.390.9149 (u. 1)	
34	REFLECTIVE STICKER 0/000.630.9102 (u. 2)	

FORK PARTS



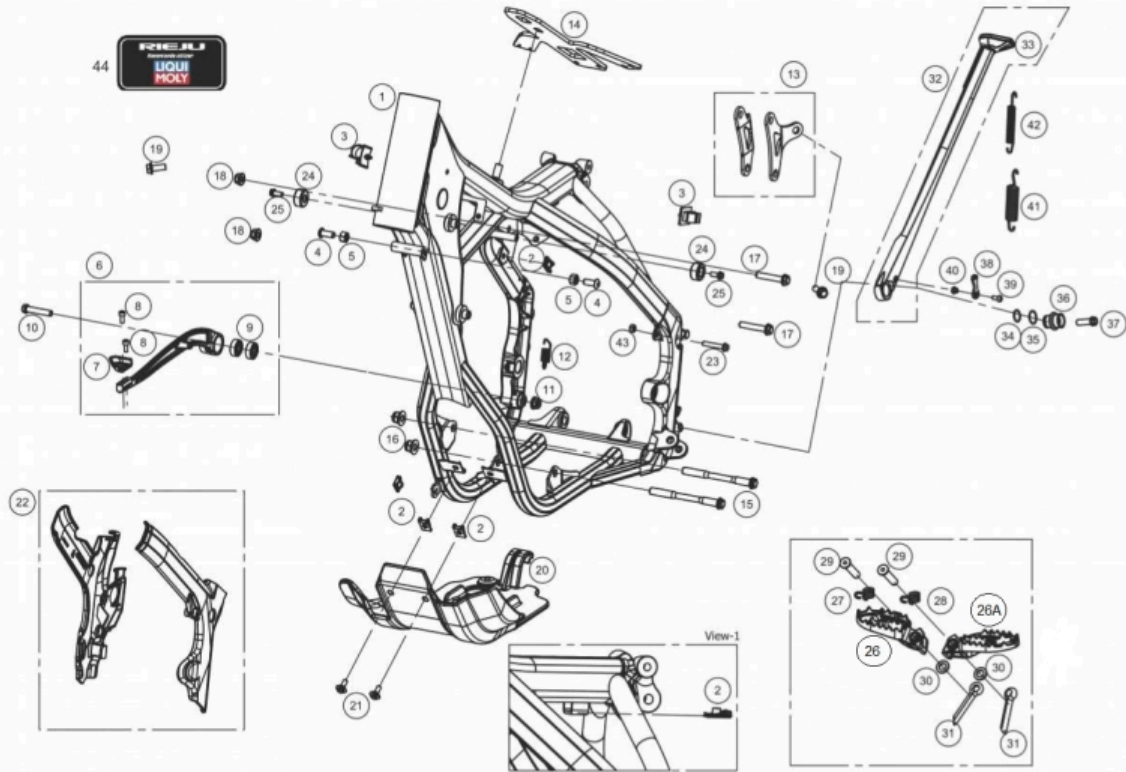
1	SET. SUSPENSION SEALS KAYABA ECRANGER BE20140CT-CTR-1 (u. 1)	
2	SET. SUSPENSION DUST COVER KAYABA ECRANGER BE20130CT-CTR-1 (u. 1)	
3	GLACIER BOTTLE SUSPENSION KAYABA ECRANGER BE20150GG-CTR-1 (u. 1)	
4	GLACIER BAR SUSPENSION KAYABA ECRANGER BE20151GG-CTR-1 (u. 1)	
5	SET. SUSPENSION SPRINGS K-3.8N KAYABA ECRANGER BE20171CT-CTR-1 (u. 1)	Obsolete
5	SET OF SUSPENSION SPRINGS K-4.2N KAYABA ECRANGER BE20172CT-CTR-1 (u. 1)	
	SET. SUSPENSION SPRINGS K-4.0N KAYABA ECRANGER BE20170CT-CTR-1 (u. 1)	
6	SET. COMPRESSION CAP ECRANGER BE20125GG-CTR-1 (u. 1)	
7	O-RING COMPRESSION CAP ECRANGER BE20126GG-CTR-1 (u. 1)	
9	SCREW COMPRESSION ADJUSTMENT PLUG WITH O-RING ECRANGER BE20175GG-CTR-1 (u. 1)	
12	SPRING COMPRESSION CAP ECRANGER BE20195GG-CTR-1 (u. 1)	
16	SPRING GUIDE NUT ECRANGER BE20156GG-CTR-1 (u. 1)	
18	SPRING GUIDE ECRANGER BE20155GG-CTR-1 (u. 1)	
49	COMPRESSION BASE CAP ECRANGER BE20250GG-CTR-1 (u. 1)	
61	SEEGER PISTON REBOUND ECRANGER BE20260GG-CTR-1 (u. 1)	

62	O-RING COMPRESSION BASE CAP ECRANGER BE20255GG-CTR-1 (u. 1)
75	SUSPENSION BOTTLE KAYABA ECRANGER BE20100GG-CTR-1 (u. 1)
79	ASSEMBLY RIGHT SUSPENSION BAR KAYABA ECRANGER BE20110CT-CTR-1 (u. 1)
	SET LEFT SUSPENSION BAR KAYABA ECRANGER BE20115CT-CTR-1 (u. 1)
88	COMPRESSION ROD ECRANGER BE20190GG-CTR-1 (u. 1)
91	CIRCLIP SUSPENSION KAYABA ECRANGER BE20135GG-CTR-1 (u. 1)

KYB TOOLS


- | | |
|---|---|
| 1 | TOOL SEAL SUSPENSION KAYABA ENDURO
BE20225GG-CLJ-1 (u. 1) |
| 2 | KEY CAP SUSPENSION KAYABA ENDURO
BE21105GG-CLJ-1 (u. 1) |
| 3 | PISTON SUPPORT TOOL ADJUSTMENT SUSPENSION KAYABA ENDURO
BE20230GG-CLJ-1 (u. 1) |
| 4 | TOOL CAP CARTRIDGE SUSPENSION KAYABA ENDURO
BE21106GG-CLJ-1 (u. 1) |
| 5 | TOOL INSERT SEAL SUSPENSION KAYABA ENDURO
BE20235GG-CLJ-1 (u. 1) |

FRAME

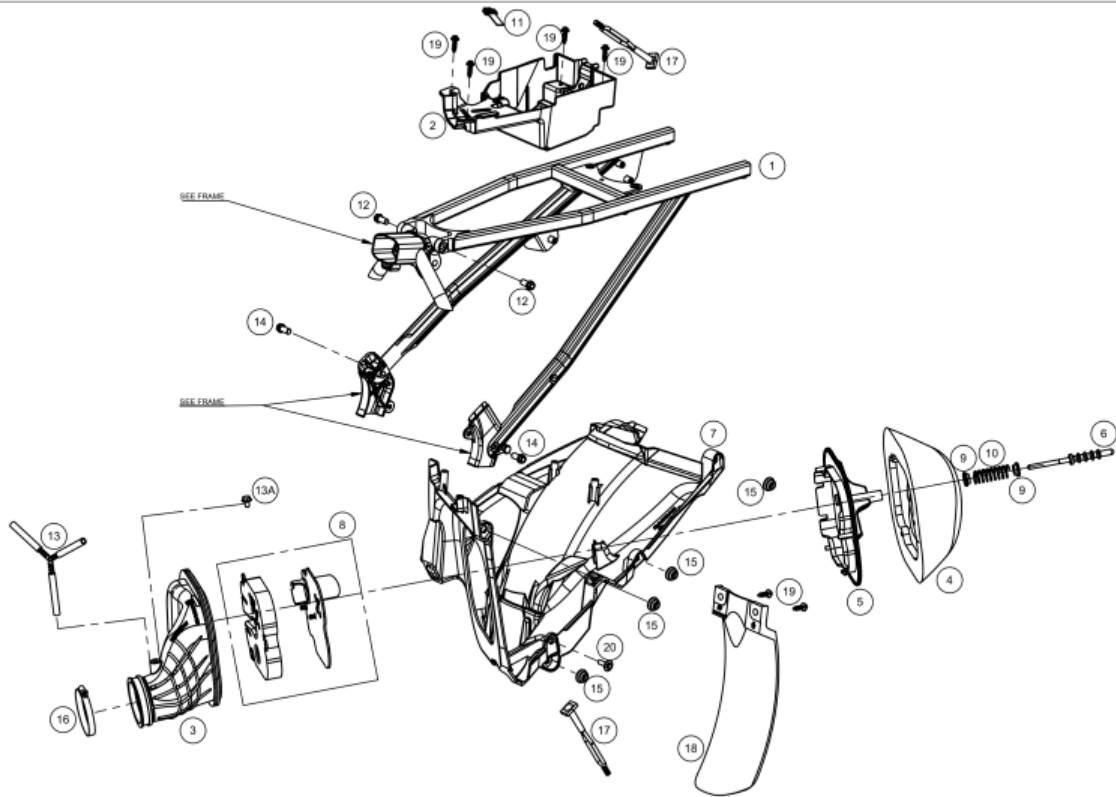


1	CHASSIS EC 250 300 2T 2018 BLACK 0/000.010.9100 (u. 1)
2	NUT 956 QUICK M-6 HRC 40/48 0/000.340.9120 (u. 3)
3	CLIP (1E3J) MOUNTING BRACKET ENDURO 2018 0/000.630.9100 (u. 2)
4	ALLEN BOLT 8x25 ISO 7380-1 ZN 10.9 0/000.460.9157 (u. 2)
5	ZINC STEERING STOP NUT M8X13X8 ISO 4033 ZINC 0/000.340.9109 (u. 2)
6	BRAKE PEDAL ENDURO 2018 0/000.730.9100 (u. 1)
7	BRAKE PEDAL TIP BE130102510 (u. 1)
9	BEARING 628-2RS BE13025GG-CLJ-1 (u. 2)
10	SCREW DIN 912 Allen M8x45 Cal.8.8 Z/WHITE 0/000.460.0382 (u. 1)
11	M8 NUT DIN 6926 GRADE 8 ZINC/WHITE 0/000.340.0180 (u. 1)
12	BRAKE PEDAL SPRING 2014 0/000.470.9100 (u. 1)
13	SET BRACE CYLINDER HEAD ENDURO 250 300 2018 BE11100CT-CLJ-1 (u. 1)
14	RUBBER PROTECTOR GAS TANK ENDURO 2018 0/000.220.9116 (u. 1)
15	ENGINE SCREW M10x113 GEOMET 10.9 0/000.460.9132 (u. 2)
16	SELF-LOCKING NUT M10 PITCH 1.25 ZINC 8 0/000.340.9123 (u. 2)

17	HEXAGONAL FLANGE BOLT DIN 6921 M8x50 THREAD 20 CLASS 10.9 GEOMET 0/000.460.9141 (u. 1)	
	SPECIAL SCREW DIN 6921 HEX.10 M8x20 GRADE 10.9 GEOMET 0/000.460.9136 (u. 4)	
19	NUT DIN 6927 M8 GRADE 8 Z/WHITE 0/000.340.0188 (u. 4)	
	FLAT WASHER DIN 125/A M8 Z/WHITE 0/000.440.0160 (u. 4)	
20	ENDURO 2018 CRANKCASE PROTECTOR WITH HARDWARE 0/R00.220.9100 (u. 1)	
22	SIDE CHASSIS PROTECTORS KIT MR BLACK 0/K00.220.9103 (u. 1)	
23	SPECIAL BOLT DIN 6921 HEX.8 M6x35 CAL.10.9 GEOMET 0/000.460.9124 (u. 1)	
24	SILENTBLOCK+WASHER FUEL TANK 0/000.360.9106 (u. 2)	
25	HEX BOLT WASHER 6x14 (Fork Brace) DIN 6921 0/000.460.9118 (u. 2)	Obsolete
	SCREW DIN 6921 HEX.8 TX30 M6x14 CAL.10.9 GEOMET 0/000.460.9215 (u. 2)	
26	KIT FOOTPEGS MR RACING / MR RANGER 0/K00.740.9101 (u. 1)	
27	SPRING FOOTREST RIGHT. 0/000.470.9101 (u. 1)	Obsolete
28	SPRING RIDER FOOTPEG RH&LH 0/000.470.9113 (u. 1)	
	SPRING LEFT FOOTREST. 0/000.470.9102 (u. 1)	
29	BUSHING PIN FOOTREST 0/000.480.9101 (u. 2)	
30	WASHER 10x20x2 DIN 125A ZINC 0/000.440.9115 (u. 2)	Obsolete
31	PIN DIN 94 0/000.840.9100 (u. 2)	
32	ASSY. STAND MR RANGER COMPLETE 0/K00.210.9101 (u. 1)	
33	BASE STAND ENDURO 2018 0/000.570.9100 (u. 1)	
34	O-RING BUSHING STAND 15x1.5 0/000.490.9100 (u. 1)	
35	O-RING BUSHING STAND 17x1.5 0/000.490.9101 (u. 1)	
36	COMPETITION STAND BUSHING 0/000.480.9129 (u. 1) - <i>NO HOMOLOG.</i>	
	BUSH FIXING STAND ENDURO 2018 0/000.480.9102 (u. 1)	
37	SCREW SPECIAL 8X25 GEOMET 10.9 0/000.460.9137 (u. 1)	Obsolete
	SCREW ISO 7380 Torx T-40 M8x25 STAINLESS STEEL 0/000.460.0081 (u. 1) - <i>NO HOMOLOG.</i>	
	HEX. BOLT DIN 6921 TX40 M8x25 GRADE 10.9 GEOMET 0/000.460.9194 (u. 1)	
38	ENDURO STAND 2018 0/000.830.9100 (u. 1)	

39	ALLEN BOLT ULS 5x16 ISO 7380-1 ZINC 12.9 0/000.460.9155 (u. 1)	Obsolete
	SCREW ISO 7380 Torx T-25 with washer M5x16 STAINLESS STEEL 0/000.460.0083 (u. 1)	
40	BUSH CARRY STAND ENDURO 0/000.480.9103 (u. 1)	
41	EXTERIOR SPRING KICKSTAND ENDURO 2018 0/000.470.9103 (u. 1)	
42	INNER SPRING KICKSTAND ENDURO 2018 0/000.470.9104 (u. 1)	
43	NYLOCK NUT M-6 DIN 985 ZN CR3 6 0/000.340.9113 (u. 1)	

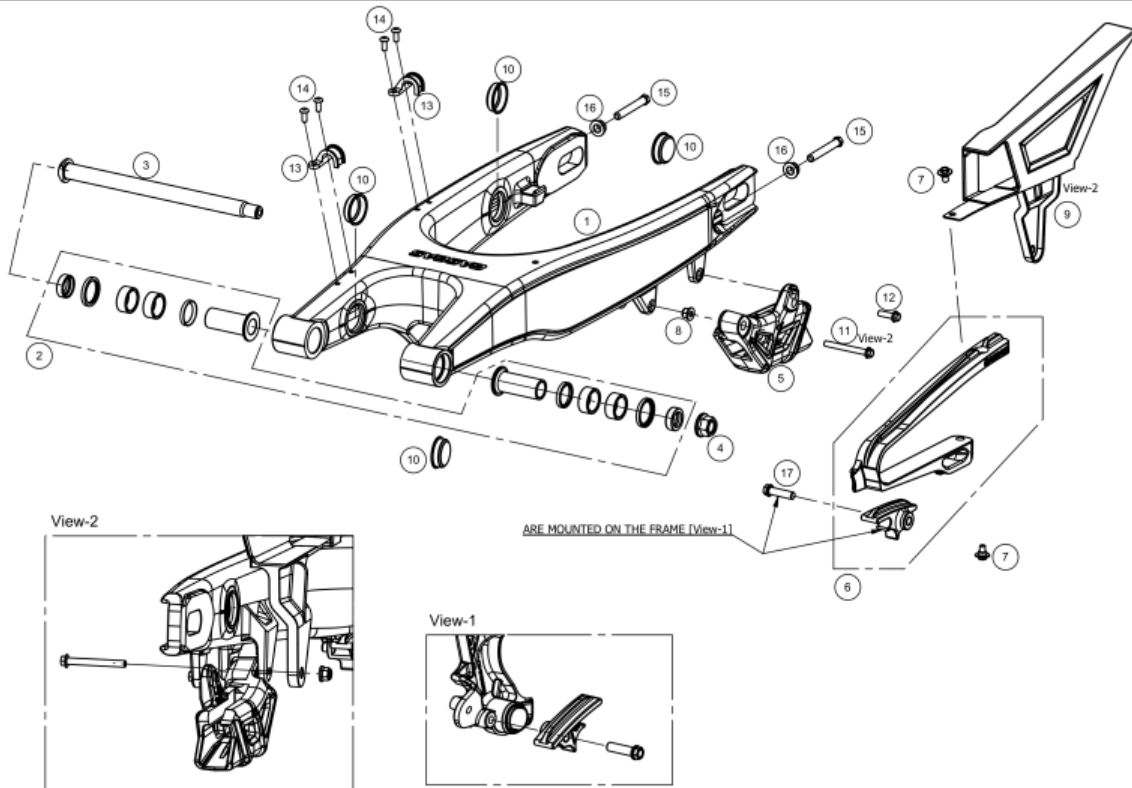
REAR FRAME



1	MR 2024 SUBCHASSIS KIT 0/K00.010.9102 (u. 1)	
2	BATTERY BRACKET -CDI-STARTER RELAY EC 2018 0/000.570.9101 (u. 1)	
3	MANIFOLD C.FILTER.EC 2018 0/000.360.9113 (u. 1)	
4	AIR FILTER EC 2018 (OEM158084X) 0/001.070.9100 (u. 1)	
5	SPIDER FILTER EC 2018 0/000.570.9104 (u. 1)	
6	AIR FILTER SUPPORT ROD 0/000.980.9117 (u. 1)	
7	FILTER ASSY.ENDURO 2018 0/000.570.9103 (u. 1)	
8	AIR FILTER RESTRICTOR KIT BE79800CT-CLJ-1 (u. 1)	
9	NYLON STOP WASHER SPRING WITH FILTER EC-2007 0/000.440.9100 (u. 2)	
10	FILTER ROD SPRING C.EC-2007 0/000.470.9105 (u. 1)	
11	CDI HOLD-DOWN RUBBER BAND 0/000.360.9101 (u. 1)	
12	SCREW SPECIAL 8X25 GEOMET 10.9 0/000.460.9137 (u. 2)	Obsolete
	HEX. BOLT DIN 6921 TX40 M8x25 GRADE 10.9 GEOMET 0/000.460.9194 (u. 2)	
13	SET BLOW BY VAPOR TUBE ENDURO 2018 0/000.290.9106 (u. 1)	
13A	M6X12 BLACK SPECIAL PLASTIC SCREW 0/000.460.9109 (u. 1)	

14	SPECIAL SCREW DIN 6921 HEX.10 M8X16 CAL.10.9 GEOMET 0/000.460.9135 (u. 2)	
15	SILENTBLOCK NUMBER PLATE LEFT ENDURO 2018 0/000.360.9109 (u. 4)	
16	CLAMP 50-70/9 AIR FILTER/CARB INOX FE 0/000.680.9101 (u. 1)	
17	RUBBER STAND EC 2015 0/000.360.9100 (u. 2)	
18	PROT.SHOCK ABSORBER EC 2018 0/000.220.9117 (u. 1)	
19	TORNILLO ESPECIAL ROSCA PLASTICO CABOTA HEXAGONAL T0806020 (u. 6)	Obsolete
	TANK SCREW - SEAT Ø6x23 0/000.460.9177 (u. 6)	
	PLASTIC THREAD SCREW HEX.6 WITH WASHER 6x20 0/000.460.9178 (u. 6)	
	BOLT TANK-SEAT Ø6x23 (EJOT ref. 05100519) T0806023 (u. 6)	
20	BOLT ESP. 6X16 DRACOMET 0/000.460.9100 (u. 1)	Obsolete
21	CRANKCASE VENT NIPPLE D.3 0/000.630.9105 (u. 1)	

SWINGARM



1	SWINGARM MR 2025 PAINTED 0/P00.020.9100 (u. 1)	
2	SWINGARM REPAIR KIT BE41000CT-CLJ-1 (u. 1)	
3	AXLE SWINGARM ENDURO 2018 0/000.190.9101 (u. 1)	
4	SWINGARM NUT TT 49650 0/000.340.9103 (u. 1)	
5	CHAIN GUIDE MR 0/000.710.9100 (u. 1)	
6	CHAIN SLIDER KIT 3 SET. BE43015CT-CLJ-1 (u. 1)	Obsolete
	CHAIN SLIDER ASSEMBLY MR 300i 0/K00.360.9118 (u. 1)	
7	TORN.ESP. DIN 6921 Hex.8 TX30 C/Centrador 3,70 M6x7 Cal.10.9 GEOMET 0/000.460.9200 (u. 2)	
	HEX. HEAD SCREW DIN 6921 M6x7 WITH CENTERING 0/000.460.9161 (u. 2)	
8	NUT DIN 6926 M6 GRADE 8 Z/WHITE 0/000.340.0170 (u. 1)	
9	CHAIN GUARD HOMOL.EC 2018 0/000.220.9107 (u. 1)	
10	CAP SWINGARM EC 2018 (465658) 0/000.410.9100 (u. 4)	
11	SPECIAL SCREW DIN 6921 HEX.8 M6x55 CAL.10.9 GEOMET 0/000.460.9127 (u. 1)	Obsolete
12	BOLT 6x20 DIN 6921 GEOMET 10.9 0/000.460.9120 (u. 1)	Obsolete
	HEXAGONAL FLANGE SCREW DIN 6921 TX30 M6x20 GRADE 10.9 GEOMET 0/000.460.9181 (u. 1)	
13	SWINGARM HOSE HOLDER 0/000.630.9101 (u. 2)	

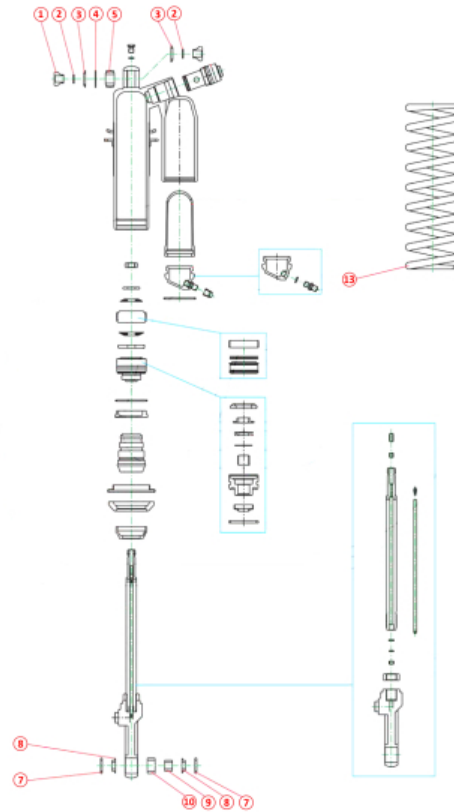
14	BOLT + WASHER 5x15 DIN 6921 GEOMET 10.9 0/000.460.9115 (u. 4)
15	FSR450-2007 WHEEL TENSIONER SCREW 0/000.460.9105 (u. 2)
16	M8 SERRATED FLANGE NUT DIN 6923 STEEL 8 0/000.340.9118 (u. 2)
17	HEXAGONAL FLANGE BOLT DIN 6921 M8x35 GRADE 10.9 GEOMET 0/000.460.9139 (u. 1)

SHOCK ABSORBER



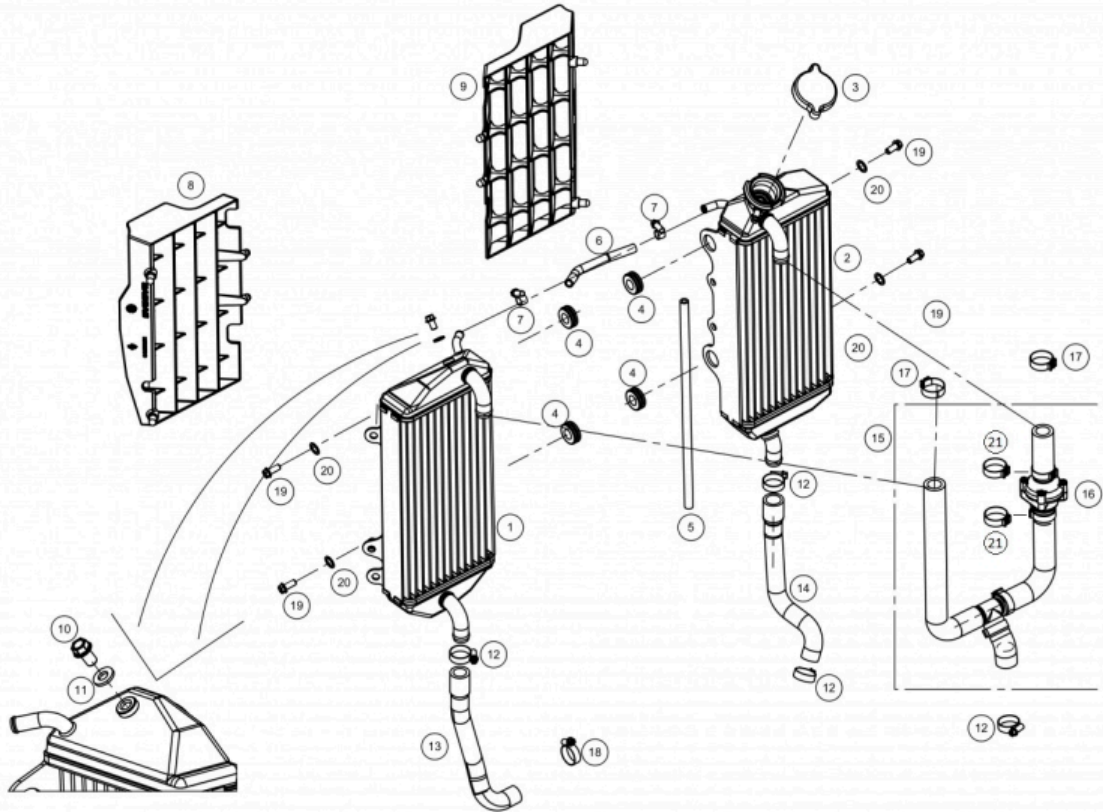
1	HEIGHT ADJUSTABLE RANGER COMPLETE LINKAGE ASSEMBLY 0/K00.770.9101 (u. 1)	
2	SCREW AXLE LINK CHASSIS (CM12X1.25X116.2, 12.9) 0/000.460.9102 (u. 1)	
3	NUT M12x1.25 DIN 6927 ZINC 0/000.340.9115 (u. 3)	
5	SCREW AXLE LINK ROCKER 12X95.5 12.9 ISO 898-1 0/000.460.9103 (u. 1)	
6	SET ROCKER ENDURO 2018 BE32000CT-CLJ-1 (u. 1)	Obsolete
	MR ROCKER SET 0/K00.980.9101 (u. 1)	
7	BOLT AXLE SWINGARM 22X92.5 0/000.460.9104 (u. 1)	
8	SHOCK ABSORBER KYB ECRANGER 0/000.180.9101 (u. 1)	
9	BOLT 10x60 ISO 898-1 GEOMET 10.9 0/000.460.9131 (u. 1)	
10	SCREW LOWER AXLE SHOCK ABSORBER 20X48.5 0/000.460.9107 (u. 1)	
11	SELF-LOCKING NUT M10X125 DIN 985 ZINC 8 0/000.340.9110 (u. 1)	
12	ROCKER ARM REPAIR KIT EC 2018 BE34035CT-CLJ-1 (u. 1)	
	RED STICKER SHOCK ABSORBER KYB 0/000.390.9158 (u. 1)	
13	BLACK SHOCK ABSORBER STICKER KYB 0/000.390.9159 (u. 1)	

SHOCK ABSORBER



1	UPPER BALL JOINT BUSHING KAYABA ENDURO SUSPENSION BE20210GG-CLJ-1 (u. 1)
2	O-RING BALL JOINT SUSPENSION KAYABA ENDURO BE30025GG-CLJ-1 (u. 3)
3	SEAL UPPER BALL JOINT SUSPENSION KAYABA ENDURO BE23295GG-CLJ-1 (u. 3)
4	WASHER BALL-JOINT UPPER SUSPENSION KAYABA ENDURO BE232990GG-CLJ-1 (u. 1)
5	UPPER BALL JOINT SHOCK ABSORBER KAYABA ENDURO BE23250GG-CLJ-1 (u. 1)
7	DUST COVER BALL-JOINT LOWER KAYABA ENDURO BE23280GG-CLJ-1 (u. 2)
8	BUSHING LOWER BALL JOINT SUSPENSION KAYABA ENDURO BE23285GG-CLJ-1 (u. 2)
9	NEEDLE BEARING LOWER SUSPENSION KAYABA ENDURO BE36060GG-CLJ-1 (u. 1)
10	BUSHING LOWER SUSP. KAYABA ENDURO BE23300GG-CLJ-1 (u. 1)
13	SPRING SHOCK ABSORBER 46 mm 50n KAYABA SUSPENSION ENDURO BE30010GG-CLJ-1 (u. 1)
	SPRING SHOCK ABSORBER 46 mm 54n KAYABA SUSPENSION ENDURO BE30012GG-CLJ-1 (u. 1)
	SPRING SHOCK ABSORBER 46 mm 52n KAYABA SUSPENSION ENDURO BE30011GG-CLJ-1 (u. 1)

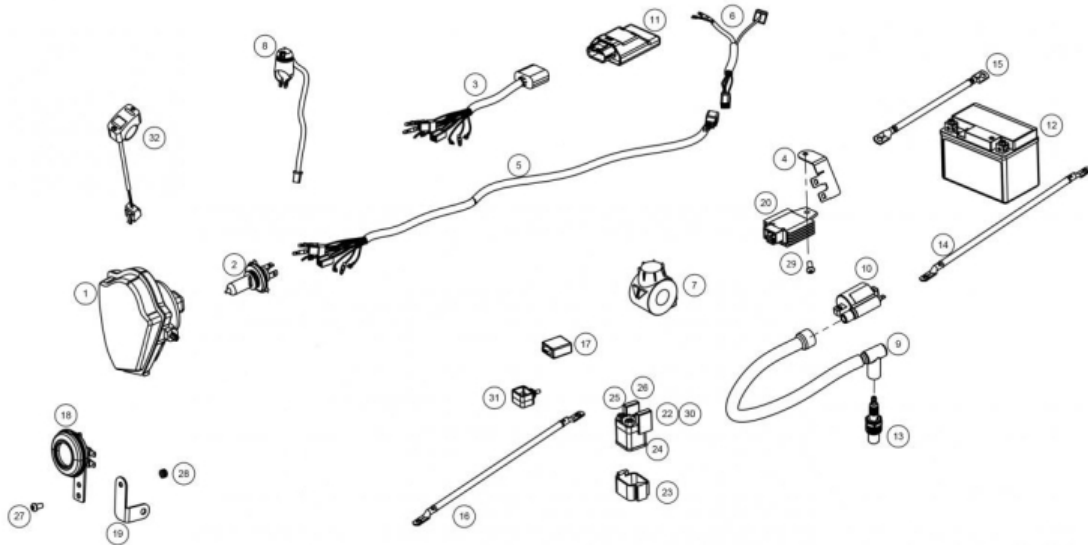
RADIATOR



1	LEFT RADIATOR ENDURO 2019 0/000.580.9103 (u. 1)	
2	RIGHT RADIATOR + 2 SILENTBLOCK 2019 0/000.580.9102 (u. 1)	
3	RADIATOR CAP MR FLOREADO 1.8 REDUCED 0/000.410.9112 (u. 1)	
4	RADIATOR STOP RUBBER 49100025 BIE500132031 (u. 4)	
5	RADIATOR BREATHER HOSE 5X8 - 39CM 0/000.290.9117 (u. 1)	
6	RADIATOR UNION TUBE MR 0/000.290.9103 (u. 1)	
7	WORM GEAR CLAMP 10-16 (10107270010) STAINLESS STEEL FE 0/000.680.9108 (u. 2)	
8	LEFT RADIATOR GRILLE ENDURO 2018 0/000.220.9113 (u. 1)	
9	RADIATOR GRILLE RIGHT ENDURO 2018 0/000.220.9112 (u. 1)	
10	SCREW SPECIAL 6X10+WASHER GEOMET 10.9 0/000.460.9133 (u. 1)	Obsolete
11	COPPER WASHER 6X10X1.5 WATER PUMP BOLT 0/000.440.9122 (u. 1)	
12	WORM GEAR CLAMP 16-27 (10107270027) STAINLESS STEEL 0/000.680.9107 (u. 4)	
13	TUBE RADIATOR LEFT TO LEFT CRANKCASE EC 2018 0/000.290.9105 (u. 1)	
14	RIGHT LOWER RADIATOR HOSE EC 300 2014 0/000.290.9104 (u. 1)	
15	SET RADIATOR TUBES-THERMOSTAT EC 2018 0/000.290.9118 (u. 1)	

16	RADIATOR THERMOSTAT 0/001.010.9103 (u. 1)	
	THERMOSTAT 250 SM BE250432070 (u. 1)	Obsolete
17	21mm HOSE CLAMP INOX A2 0/000.680.9105 (u. 2)	Obsolete
	COBRA CLAMP 21 W4 0/000.680.3009 (u. 2)	
18	HOSE CLAMP COBRA-19 INOX A2 0/000.680.9104 (u. 1)	
19	HEX BOLT WASHER 6x14 (Fork Brace) DIN 6921 0/000.460.9118 (u. 4)	Obsolete
	SCREW DIN 6921 HEX.8 TX30 M6x14 CAL.10.9 GEOMET 0/000.460.9215 (u. 4)	
20	WASHER DIN 9022 M6 GRADE A2 STAINLESS STEEL 0/000.440.9141 (u. 4)	
	WASHER 6X20X2 0/000.440.9112 (u. 4)	
21	CLAMP COBRA Ø26/8 W4 0/000.680.0567 (u. 2)	

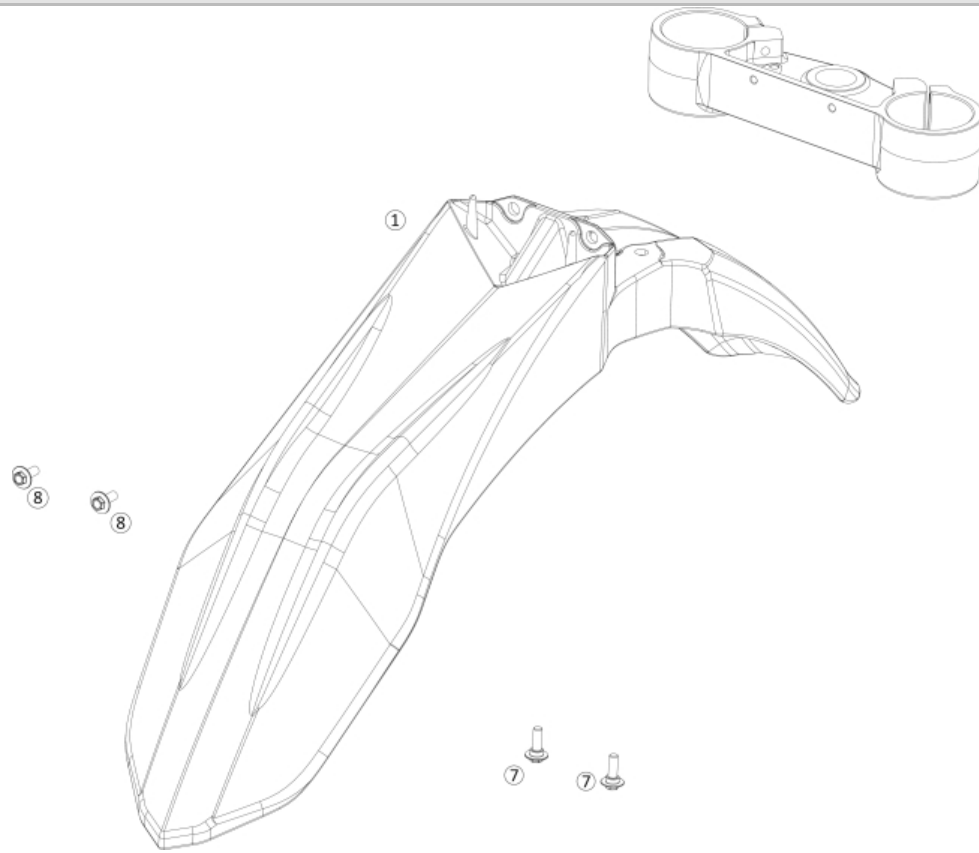
ELECTRICAL PARTS



1	HEADLIGHT ASSEMBLY WITH POSITION LIGHT PT-107 0/000.600.0270 (u. 1)	
2	HS1 12V 35/35W HALOGEN BULB L300125 (u. 1)	
3	CENTRAL SYSTEM ENDURO 2018 0/000.160.9100 (u. 1)	Obsolete
4	BRACKET FIX CONNECTORS IGNITION ENDURO 2018 0/000.980.9110 (u. 1)	
5	MAIN ELECTRICAL INSTALLATION ELECTRIC FAN MR 0/000.160.9112 (u. 1)	
6	LICENSE PLATE LIGHT INSTALLATION ENDURO 2018 0/000.160.9103 (u. 1)	
7	STARTER SWITCH ENDURO 2018 0/000.720.9101 (u. 1)	
8	KILL SWITCH TRIAL 2015 0/000.720.9102 (u. 1)	
9	SPARK PLUG CAP LB05EMH=BT27934000 0/005.110.9100 (u. 1)	
10	IGNITION COIL 0/005.070.9100 (u. 1)	
11	ECRANGER 300 PROGRAMMED CDI SET EE51100CT-CTR-1 (u. 1)	
12	BATTERY LITIUM 4.0 Ah, HJTZ7S-FPZ 0/000.900.9100 (u. 1) BATTERY BS LITHIUM - BSLI-02 0/000.900.9103 (u. 1)	Obsolete
13	SPARK PLUG W24ESRU/BR8ES 0/005.110.9101 (u. 1)	
14	POSITIVE BATTERY CABLE EC 2019 0/000.160.9105 (u. 1)	
15	NEGATIVE BATTERY CABLE 0/000.160.9104 (u. 1)	
16	STARTER MOTOR RELAY CABLE 2019 0/000.160.9107 (u. 1)	
17	MODULE SCHOTTKY DIODES 0/001.200.9100 (u. 1)	
18	HORN CLASS II TYPE DL128J-12V 0/000.420.5011 (u. 1)	

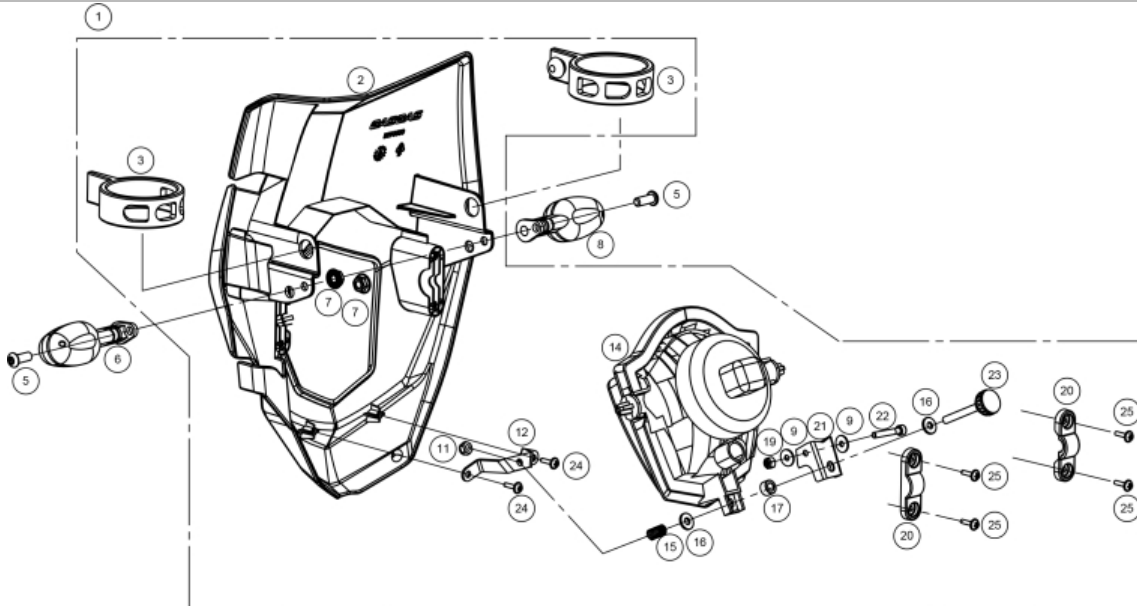
19	ZINC-PLATED BRACKET HORN ENDURO 2018 0/000.980.9107 (u. 1)	
20	REGULATOR 0/005.070.9101 (u. 1)	
22	RC19-025 Relay Assy Power W/Stay 0/001.200.9101 (u. 1)	
	STARTER RELAY (RC19-005 [®]) STARTER RELAY 00020 A7343-888-00-000 0/001.200.9103 (u. 1)	
23	RUBBER BRACKET RELAY STARTER FIXED VERTICAL EE85205GG-CAK-1 (u. 1)	
24	FUSE PROTECTIVE COVER (B4694-730-00-001) EE851052511 (u. 2)	
25	DENTED WASHER DIN 6798/J M6 GRADE A2 STAINLESS STEEL 0/000.440.0240 (u. 2)	
26	SCREW SPECIAL 6X10+WASHER GEOMET 10.9 0/000.460.9133 (u. 2)	Obsolete
27	BOLT ESP 6X12 WITH WASHER AND LOCKING ISO 7380-2 STAINLESS A2 0/000.460.9108 (u. 1)	
28	NUT 956 QUICK M-6 HRC 40/48 0/000.340.9120 (u. 1)	
29	SCREW DIN 6921 HEX.8 TX30 M6x14 CAL.10.9 GEOMET 0/000.460.9215 (u. 1)	
	HEX BOLT WASHER 6x14 (Fork Brace) DIN 6921 0/000.460.9118 (u. 1)	Obsolete
30	UNIVERSAL FUSE 20A 0/000.910.9100 (u. 2)	
31	RUBBER SUPPORT FOR DIODE MODULE 0/000.360.9111 (u. 1)	

FRONT FENDER



1	<p>FRONT FENDER EC 2018 WHITE 0/000.050.9101 (u. 1)</p>	
7	<p>BOLT ESP. 6X16 DRACOMET 0/000.460.9100 (u. 2)</p>	Obsolete
8	<p>TORN.ESP. DIN 6921 Hex.8 TX30 C/Centrador 3,70 M6x7 Cal.10.9 GEOMET 0/000.460.9200 (u. 2)</p> <p>HEX. HEAD SCREW DIN 6921 M6x7 WITH CENTERING 0/000.460.9161 (u. 2)</p>	

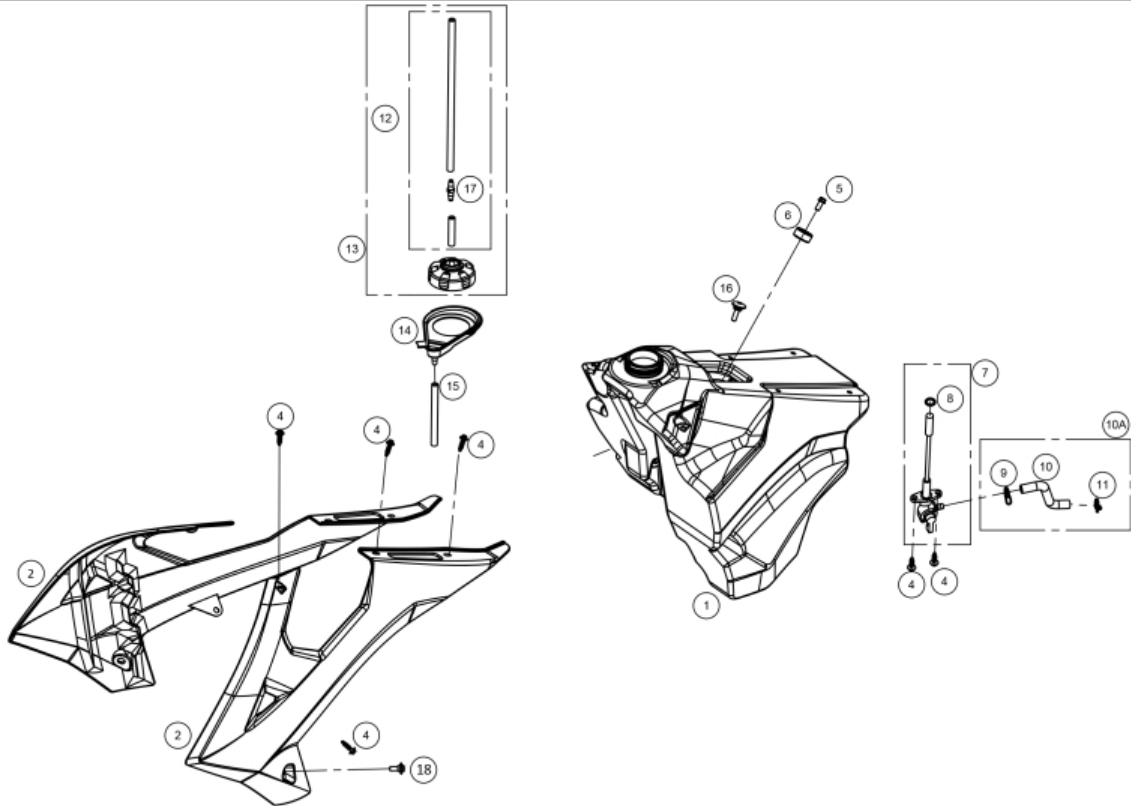
FRONT LIGHT



1	HEADLIGHT COMPLETE KIT MR WHITE 0/K00.620.9100 (u. 1)
2	HEADLIGHT HOLDER EC 2018 BL. 0/000.620.9100 (u. 1)
3	HEADLIGHT RUBBER HOLDER D.38 PP HP2070291G 0/000.360.9102 (u. 2)
5	6X16 ULS SCREW ISO 7380-1 BLACK 12.9 0/000.460.9156 (u. 2)
6	LEFT FRONT INDICATOR 2005 0/000.150.9101 (u. 1)
7	NUT + WASHER M-6 SERRATED DIN 6923 ZINC 8 0/000.340.9116 (u. 2)
8	RIGHT FRONT INDICATOR 0/000.150.9100 (u. 1)
9	FLAT WASHER DIN 9021 M4 Z/WHITE 0/000.440.0021 (u. 2)
	4X12X1 FLAT WASHER DIN 9021 ZN AG CR3 0/000.440.9119 (u. 2)
11	SELF-LOCKING NUT M5 LOW DIN-985 ZINC 8 0/000.340.9112 (u. 1)
12	HEADLIGHT ADJUSTMENT PLATE 0/000.980.9103 (u. 1)
13	PLASTIC SCREW 4X10 ZN BLUE 0/000.460.9159 (u. 2)
14	COMPLETE HEADLIGHT UNIT WITHOUT CITY LIGHT PT-107 0/000.600.0260 (u. 1)
15	ADJUSTMENT SCREW HEADLIGHT SPRING 0/000.470.9107 (u. 1)
16	WASHER 5X12X1.5 DIN 125A ZINC 0/000.440.9121 (u. 2)
17	ALUMINIUM BUSHING ø5.5X10X6 0/000.480.9128 (u. 1)
19	SELF-LOCKING NUT M4 DIN 985 ZINC 8 0/000.340.9111 (u. 1)

20	HEADLIGHT BRACKET MR BLACK INJ. 0/000.980.9127 (u. 2)	
	FRONT SUPPORT HEADLAMP 0/000.980.9104 (u. 2)	Obsolete
21	2012 EC HEADLIGHT REINFORCEMENT TAB 0/000.980.9106 (u. 1)	
22	ALLEN 4X25 DIN 912 ZINC 0/000.460.9144 (u. 1)	
23	REGULATOR BOLT HEADLIGHT ELESA B.193/18 P M5X40 0/000.460.9106 (u. 1)	
24	PLASTIC SCREW 4X10 ZN BLUE 0/000.460.9159 (u. 2)	
25	SPECIAL PLASTIC SCREW 4X12 CELO RF87T VERZINKT 0/000.460.9160 (u. 4)	

TANK

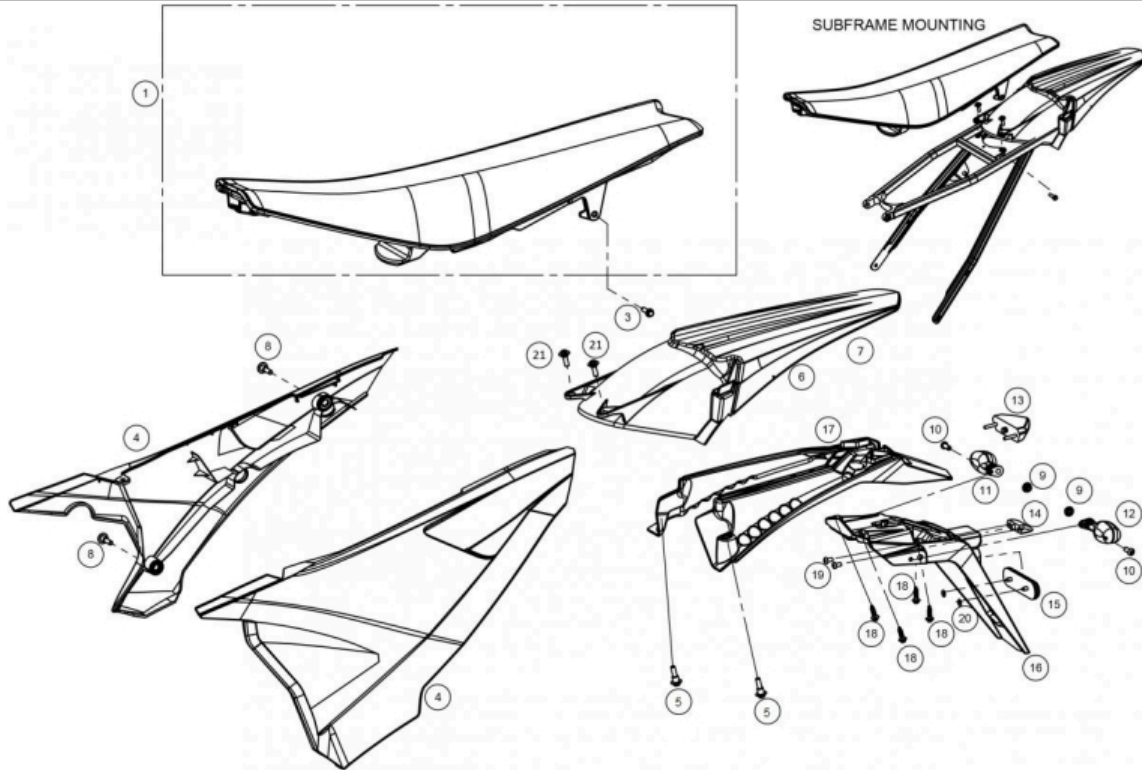


1	FUEL TANK EUROPA (XPE) ENDURO 2018 0/000.030.9100 (u. 1)	
2	WHITE RADIATOR PROTECTION PLATE KIT MR 0/K00.570.9107 (u. 1)	
4	TORNILLO ESPECIAL ROSCA PLASTICO CABOTA HEXAGONAL T0806020 (u. 10)	Obsoleto
	PLASTIC THREAD SCREW HEX.6 WITH WASHER 6x20 0/000.460.9178 (u. 10)	
5	HEX BOLT WASHER 6x14 (Fork Brace) DIN 6921 0/000.460.9118 (u. 1)	Obsoleto
	SCREW DIN 6921 HEX.8 TX30 M6x14 CAL.10.9 GEOMET 0/000.460.9215 (u. 1)	
6	SILENTBLOCK+WASHER AND GASOLINE TANK GASKET 0/000.360.9105 (u. 1)	
7	FUEL PETCOCK ENDURO 2018 0/000.370.9100 (u. 1)	
8	10X2.5 FUEL TAP O-RING B740120 (u. 1)	
9	SPRING CLAMP M-11.6-12.3 ZINC CR3 0/000.680.9102 (u. 1)	
10	FUEL TUBE ENDURO 2018 HOMOLOGATION 0/000.290.9109 (u. 1)	
11	SPRING CLAMP M-12X1.5 STEEL ZN 0/000.680.9103 (u. 1)	
12	SET FUEL TANK VENT HOSE 26cm 0/000.290.9115 (u. 1)	
13	SET FUEL CAP + TUBE EC 2014 BE76010CT-CAB-1 (u. 1)	
14	OVERFLOW FUEL TANK 0/000.570.9102 (u. 1)	

15	OVERFLOW TUBE GASOLINE TANK ENDURO 0/000.290.9107 (u. 1)
16	BOLT TANK-SEAT Ø6x23 (EJOT ref. 05100519) T0806023 (u. 1)
	TANK SCREW - SEAT Ø6x23 0/000.460.9177 (u. 1)
17	FUEL TANK VAPOR VALVE BT27836025 (u. 1)
18	HEX BOLT DIN 6921 M6X12 WITH CENTERING FLANGE 0/000.460.9101 (u. 2)

Obsolete

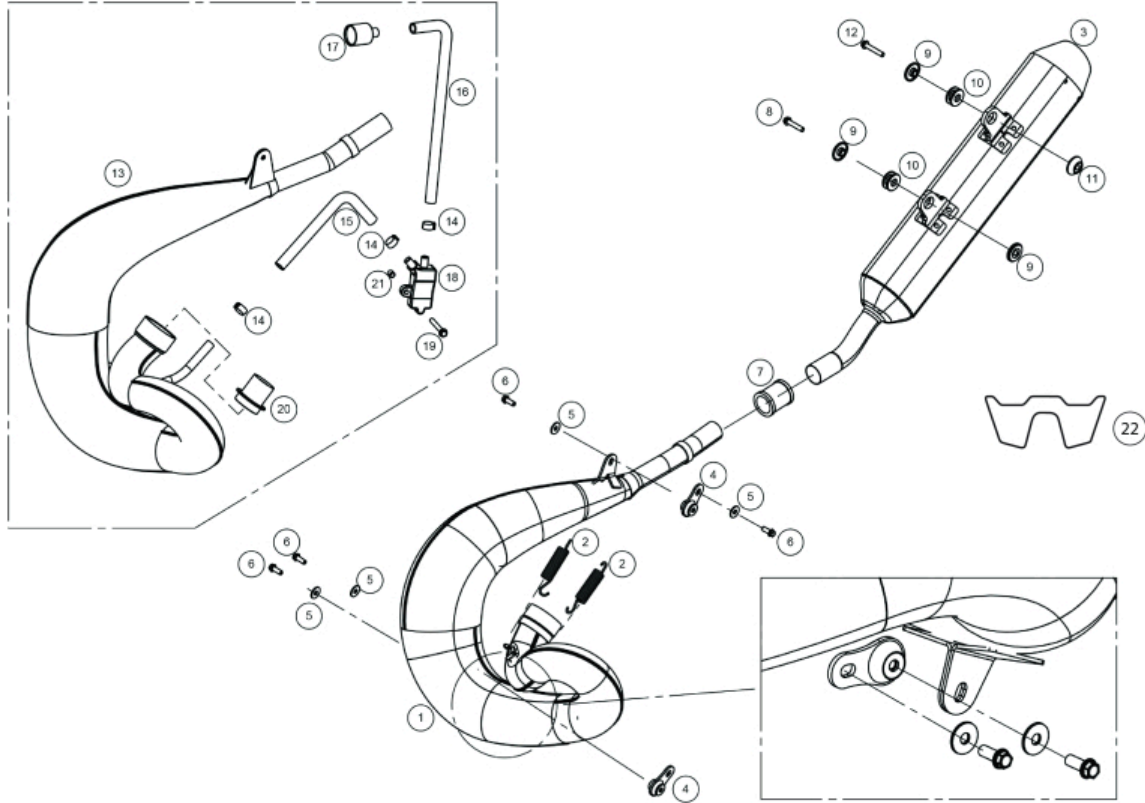
REAR FAIRING



1	SEAT COVER MR RANGER 2022 0/000.040.9106 (u. 1)	
	SEAT MR RANGER 2022 0/000.040.9104 (u. 1)	
3	SPECIAL BOLT DIN 6921 HEX.8 M6x25 GRADE 10.9 GEOMET 0/000.460.9121 (u. 1)	Obsolete
	TORN.ESP. DIN 6921 Hex.8 TX30 M6x25 Cal.10.9 GEOMET 0/000.460.9182 (u. 1)	
4	SET SIDE NUMBER PLATES WHITE MR 0/K00.570.9101 (u. 1)	
5	SCREW DIN 6921 Hex.8 TX30 WITH CENTERING 8.70 M6x16 GRADE 10.9 GEOMET 0/000.460.9202 (u. 2)	
	BOLT DIN 6921 HEX.8 WITH CENTERING M6x16 0/000.460.9163 (u. 2)	Obsolete
6	SET REAR FENDER EC 2018 WHITE. 0/000.060.9100 (u. 1)	
8	BOLT ESP. 6X16 DRACOMET 0/000.460.9100 (u. 2)	Obsolete
9	NUT + WASHER M-6 SERRATED DIN 6923 ZINC 8 0/000.340.9116 (u. 2)	
10	6X16 ULS SCREW ISO 7380-1 BLACK 12.9 0/000.460.9156 (u. 2)	
11	RIGHT REAR INDICATOR 2005 0/000.150.9102 (u. 1)	
12	LEFT REAR INDICATOR 2005 0/000.150.9103 (u. 1)	
13	LIGHT TAIL LIGHT REAR LED 0/000.150.9105 (u. 1)	Obsolete
	LED TAIL LIGHT V.2 0/000.150.9106 (u. 1)	
14	LICENSE PLATE LIGHT MR 0/000.150.9104 (u. 1)	

15	CATADIOPTRIC 700R ENDURO 2007 0/000.630.9103 (u. 1)	
16	REGIST PLATE HOLOF R HOMOLOGATION 0/000.060.9102 (u. 1)	Obsolete
	LICENSE PLATE HOLDER APPROVED MRT 2021 0/000.060.5302 (u. 1)	
17	LICENSE PLATE HOLDER SHORT EC 2018 0/000.060.9101 (u. 1)	
18	TORNILLO ESPECIAL ROSCA PLASTICO CABOTA HEXAGONAL T0806020 (u. 4)	Obsolete
	PLASTIC THREAD SCREW HEX.6 WITH WASHER 6x20 0/000.460.9178 (u. 4)	
19	ULS TORX WITH WASHER 4X08 ISO 7380-2 STAINLESS STEEL A2 0/000.460.9158 (u. 2)	
20	STAPLE 02110396 SRRM-5 REFLECTOR 0/000.440.9102 (u. 2)	
21	HEX BOLT DIN 6921 M6X12 WITH CENTERING FLANGE 0/000.460.9101 (u. 2)	Obsolete

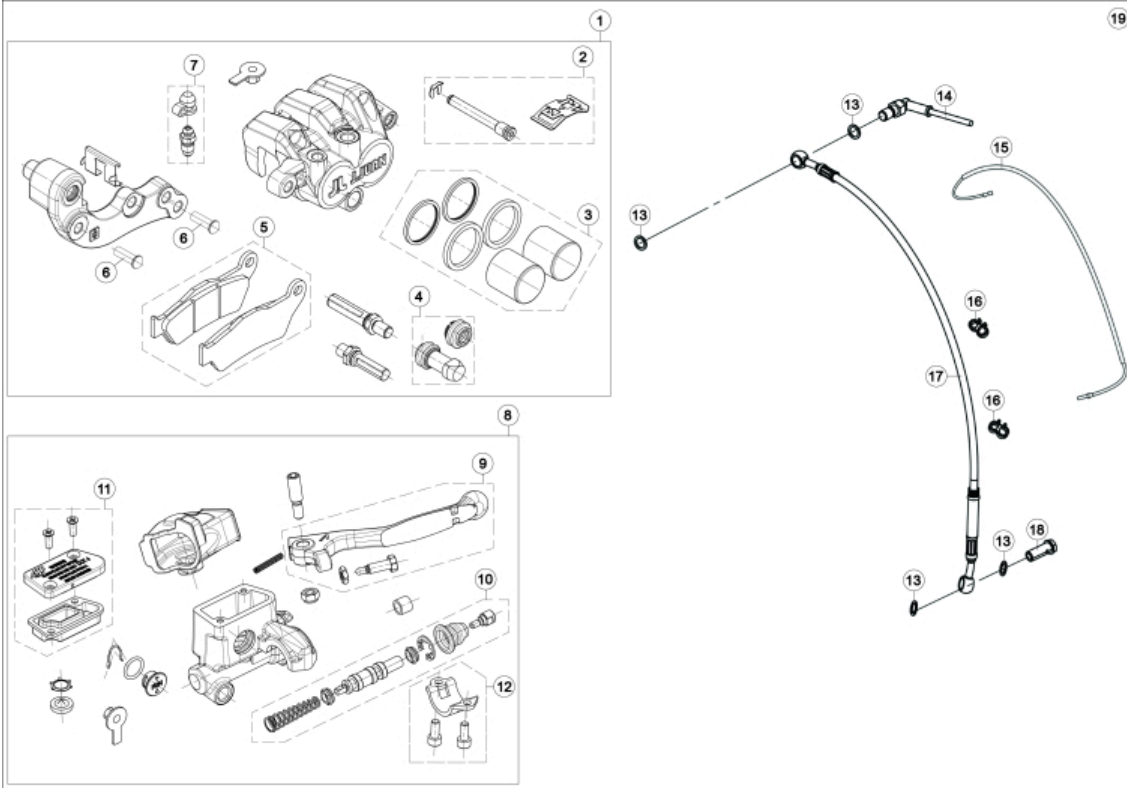
EXHAUST SYSTEM



1	NICKEL-PLATED EXHAUST EC RANGER 0/000.290.9102 (u. 1)	
2	SPRING EXHAUST EC 0/000.470.9106 (u. 2)	
3	SILENCER EC RANGER 0/000.870.9100 (u. 1)	
	FIBER FOR SILENCER MR RANGER 2022 0/000.870.9106 (u. 1)	
4	SILENBLOCK EXHAUST PIPE ENDURO 0/000.360.9107 (u. 2)	
5	WASHER 6X18X1.5 DIN 9021 ZINC 0/000.440.9126 (u. 4)	
6	TORN.ESP. DIN 6921 HEX.8 TX30 M6x16 CAL.10.9 GEOMET 0/000.460.9216 (u. 4)	
	M6x16 HEX HEAD SCREW DIN 6921 GRADE 10.9 GEOMET 0/000.460.9119 (u. 4)	Obsolete
7	EXHAUST GASKET 250 SILIC.5916 0/000.490.9103 (u. 1)	
8	ALLEN BOLT 6x30 DIN 6921 GEOMET 0/000.460.9123 (u. 1)	Obsolete
	SCREW DIN 6921 Hex.8 TX30 M6x30 Thread.20 Grade.10.9 GEOMET 0/000.460.9183 (u. 1)	
9	SILENCER COVER SHORT EC 2018 0/000.480.9115 (u. 3)	
10	SILENBLOCK MUFFLER EC 2018 0/000.360.9108 (u. 2)	
11	LONG SILENCER BUSH ENDURO 2018 0/000.480.9114 (u. 1)	
12	SPECIAL BOLT DIN 6921 HEX.8 M6x35 CAL.10.9 GEOMET 0/000.460.9124 (u. 1)	

13	HOMOLOGATED EXHAUST ECRANGER BE86000GG-CTR-1 (u. 1) SET EXHAUST PIPE EC 2018 HOMOLOGATION 0/000.290.9113 (u. 1)
14	CLAMP D.15/8 W4 STAINLESS STEEL A2 0/000.680.9106 (u. 3)
15	SHORT SECONDARY AIR TUBE EC-2009 0/000.290.9110 (u. 1)
16	SECONDARY AIR LONG TUBE EC-2009 0/000.290.9111 (u. 1)
17	SECONDARY AIR FILTER TRIAL PRO 2006 CE BT280626059 (u. 1)
18	SECONDARY AIR VALVE EC-2009 RV-1-037 0/000.640.9100 (u. 1)
19	HEX HEAD SCREW DIN 6921 M6x60 GRADE 10.9 GEOMET 0/000.460.9128 (u. 1)
20	CATALYST EC250-2002 0/001.600.9100 (u. 1)
21	PINION DISTANCE BUSH 0/000.980.9112 (u. 1)

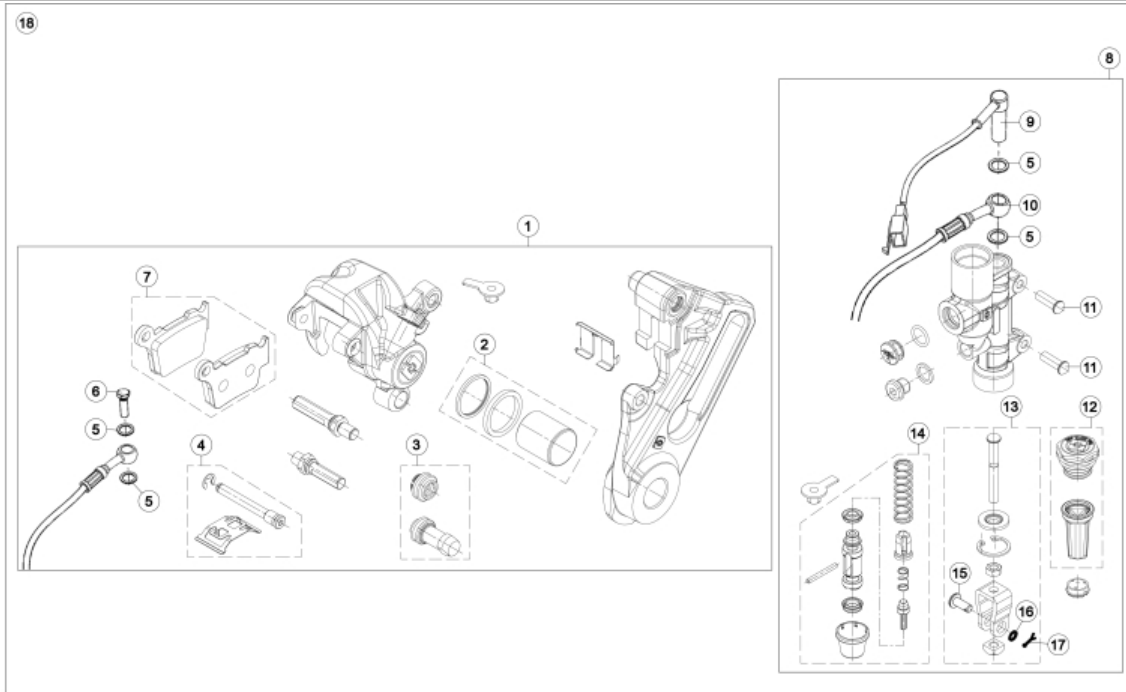
FRONT BRAKE



1	FRONT BRAKE CALIPER SET ECRA BE62000GG-CTR-1 (u. 1)	
2	FRONT BRAKE PAD PIN EC RANGER BE62020GG-CTR-1 (u. 1)	
3	REAR BRAKE CALIPER PISTON BE67560GG-CTR-1 (u. 1)	
4	RANGER BRAKE CALIPER DUST GUARD SET BE67580GG-CTR-1 (u. 1)	
	KIT GUARDAPOLVO PINZA FRENO DEL. ECRANGER BE62030GG-CTR-1 (u. 1)	Obsolete
5	FRONT BRAKE PAD SET ECRANGER BE62500GG-CTR-1 (u. 1)	
6	HEXAGONAL FLANGE SCREW DIN 6921 M8x30 THREAD 22 GRADE 10.9 GEOMET 0/000.460.9138 (u. 2)	
7	FRONT BRAKE CALIPER BLEEDER KIT. ECRANGER BE62040GG-CTR-1 (u. 1)	
8	FRONT BRAKE PUMP ECRANGER BE61000CT-CTR-1 (u. 1)	
9	FRONT BRAKE LEVER ECRANGER BE61300GG-CTR-1 (u. 1)	
10	FRONT BRAKE PUMP REPAIR KIT ECRANGER BE61405GG-CTR-1 (u. 1)	
11	SET ECRANGER COVER REPAIR KIT BE61010GG-CTR-1 (u. 1)	
12	ECRANGE HANDLEBAR BRACKET SUPPORT BE61350GG-CTR-1 (u. 1)	
13	(PACK OF 5 PCS.) BANJO BOLT WASHER 10X14X1 BE25622007-B (u. 4)	
	HOSE WASHER 10X14X1 BE25622007 (u. 4)	Obsolete

14	SWITCH 23-016/1 STOP NISSIN PUMP 3 0/000.720.9104 (u. 1)
15	ENDURO KMS ACCOUNT SENSOR 0/001.010.9100 (u. 1)
16	SPEEDO CABLE HOLDER CLIP KMS ACCOUNT 2008 0/000.630.9104 (u. 2)
17	FRONT BRAKE HOSE ECRANGER BE61100GG-CTR-1 (u. 1)
18	HOSE HOLDER RACORD 10X1.25 BC25722006 (u. 1)
19	SET FRONT BRAKE ECRANGER 0/000.820.9102 (u. 1)

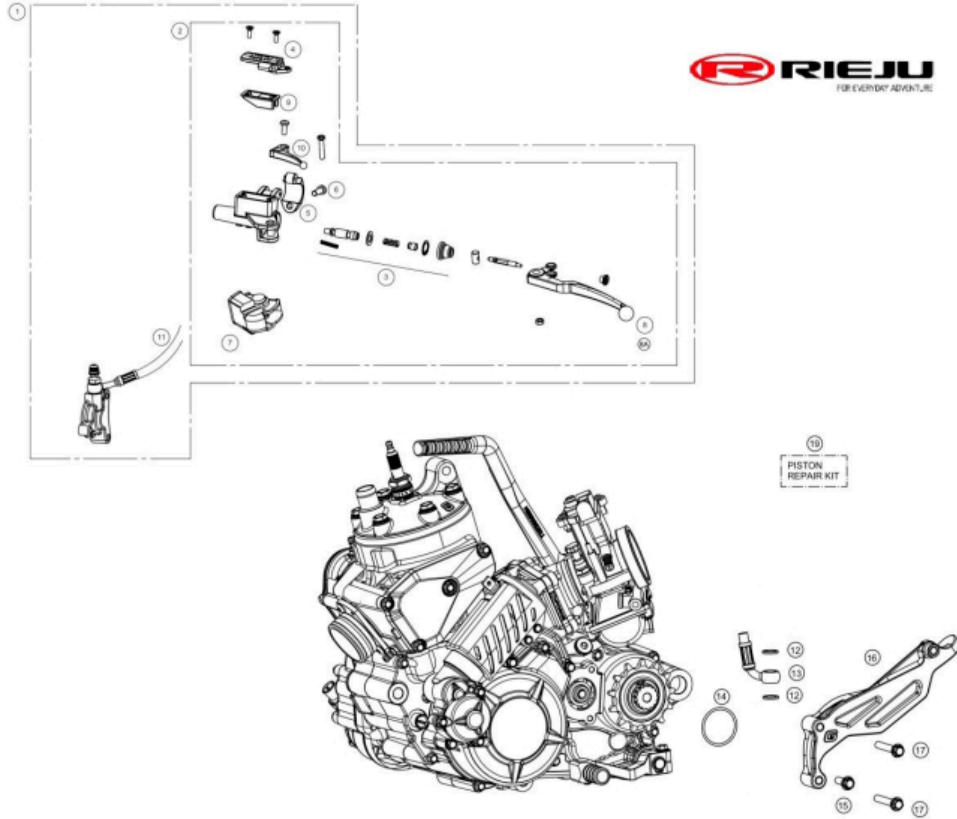
REAR BRAKE



1	REAR BRAKE CALIPER SET BE67000GG-CTR-1 (u. 1)	
2	REAR BRAKE CALIPER REPAIR KIT BE67120GG-CTR-1 (u. 1)	
3	RANGER BRAKE CALIPER DUST GUARD SET BE67580GG-CTR-1 (u. 1)	
4	REAR BRAKE PAD PIN EC RANGER BE67495GG-CTR-1 (u. 1)	
5	HOSE WASHER 10X14X1 BE25622007 (u. 4)	Obsolete
	(PACK OF 5 PCS.) BANJO BOLT WASHER 10X14X1 BE25622007-B (u. 4)	
6	HOSE HOLDER RACORD 10X1.25 BC25722006 (u. 1)	
7	REAR BRAKE PADS EC RANGER BE67500GG-CTR-1 (u. 1)	
8	REAR BRAKE PUMP ECRANGER BE66000CT-CTR-1 (u. 1)	
9	SWITCH 23-016/1 STOP NISSIN PUMP 3 0/000.720.9104 (u. 1)	
10	REAR BRAKE HOSE ECRANGER BE66100GG-CTR-1 (u. 1)	
11	M6x16 HEX HEAD SCREW DIN 6921 GRADE 10.9 GEOMET 0/000.460.9119 (u. 2)	Obsolete
	TORN.ESP. DIN 6921 HEX.8 TX30 M6x16 CAL.10.9 GEOMET 0/000.460.9216 (u. 2)	
12	REPAIR KIT REAR BRAKE PUMP COVER BE66005GG-CTR-1 (u. 1)	
13	REAR BRAKE ROD ECRANGER BE66050GG-CTR-1 (u. 1)	
14	REAR BRAKE MASTER CYLINDER PISTON KIT BE66025GG-CTR-1 (u. 1)	
15	BRAKE PEDAL PIN 8X20 0/000.840.9101 (u. 1)	

16	FLAT WASHER DIN 125/A M8 Z/WHITE 0/000.440.0160 (u. 1)
17	2X20 BRAKE PIN STOPPER 0/000.840.9102 (u. 1)
18	SET REAR BRAKE ECRANGER 0/000.820.9103 (u. 1)

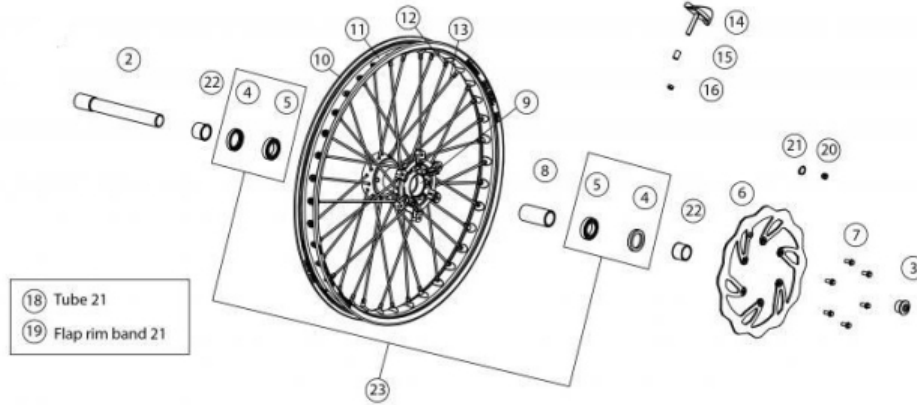
CLUTCH CONTROL



1	SET MAGURA CLUTCH PUMP, 9.5 (167) 0/000.830.9101 (u. 1)	
2	CLUTCH PUMP MAGURA 9,5 (167) 0020747 BE45000013011 (u. 1)	Obsolete
3	PISTON KIT 9.5 (0723184) BE45000043011 (u. 1)	
4	BLACK CLUTCH PUMP COVER 167.2 0/000.350.9119 (u. 1)	
	COVER MINERAL OIL (0723164) BE45000053011 (u. 1)	
5	CLAMP, HOLDER BE45000063011 (u. 1)	
6	BOLT 6x20 DIN 6921 GEOMET 10.9 0/000.460.9120 (u. 1)	Obsolete
	HEXAGONAL FLANGE SCREW DIN 6921 TX30 M6x20 GRADE 10.9 GEOMET 0/000.460.9181 (u. 1)	
7	DUST COVER BE45000093011 (u. 1)	
8	SHORT CLUTCH LEVER (0723121) BE45000023011 (u. 1)	
8A	LONG CLUTCH LEVER BE45000033011 (u. 1)	
9	BLACK CLUTCH PUMP COVER 167.2 0/000.350.9119 (u. 1)	
	MEMBRANAPÀSITO (0723162) BE45000103011 (u. 1)	Obsolete
10	CHOKE LEVER BE45000073011 (u. 1)	
11	ENDURO CLUTCH HOSE (FK003CE021E) BE250522003 (u. 1)	

12	HOSE WASHER 10X14X1 BE25622007 (u. 2)	Obsolete
	(PACK OF 5 PCS.) BANJO BOLT WASHER 10X14X1 BE25622007-B (u. 2)	
13	ENDURO CLUTCH HOSE (FK003CE021E) BE250522003 (u. 1)	
14	CLUTCH PUMP O-RING 32X2 EPDM ME25632024 (u. 1)	
15	HEXAGONAL FLANGE SCREW DIN 6921 TX30 M6x20 GRADE 10.9 GEOMET 0/000.460.9181 (u. 1)	Obsolete
	BOLT 6x20 DIN 6921 GEOMET 10.9 0/000.460.9120 (u. 1)	
16	CHAIN SLIDER ASSEMBLY MR 300i 0/K00.360.9118 (u. 1)	Obsolete
	CHAIN SLIDER KIT 3 SET. BE43015CT-CLJ-1 (u. 1)	
17	ORIGINAL TEXT: TORN.ESP. DIN 6921 HEX.8 TX30 M6x50 FIL.20 CAL.10.9 GEOMET 0/000.460.9186 (u. 2)	Obsolete
	HEAD SCREW 6x50 DIN 6921 GEOMET 10.9 0/000.460.9126 (u. 2)	
18	CLUTCH CYLINDER ME250632026 (u. 1)	Obsolete
19	CLUTCH CYLINDER ME250632026 (u. 1)	Obsolete

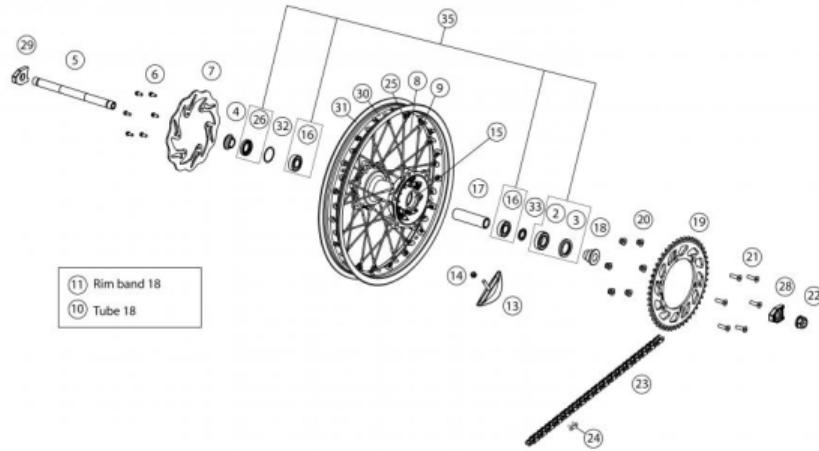
FRONT WHEEL



2	FRONT AXLE INNER SCREW MR2022 0/000.460.9166 (u. 1)
	FRONT WHEEL AXLE EC-2011 20.8CM 0/000.190.9102 (u. 1)
3	FRONT WHEEL AXLE NUT 0/000.340.9100 (u. 1)
4	FRONT WHEEL SEAL 390.99.59-30X42X7 HMSA10 RG BE250418057 (u. 2)
5	BEARING 61905 2RS1 ME120136055 (u. 2)
6	FRONT DISC BRAKE MR 260mm 0/001.090.9107 (u. 1)
7	HEXAGON HEAD SCREW DIN 6921 M6x14 WITH TUFFLOCK 306 YELLOW 0/000.460.9142 (u. 6)
8	FRONT HUB SEPARATOR BE250418058 (u. 1)
9	FRONT WHEEL HUB BE54110GG-CAB-1 (u. 1)
10	FRONT RIM 21x1.6" BLACK ANODIZED 0/000.230.9104 (u. 1)
11	FRONT WHEEL 1.6 x 21" MR RANGER 2022 0/000.110.9102 (u. 1)
12	FRONT SPOKE NUT. BE542503013 (u. 36)
13	FRONT WHEEL SPOKE EC-2013 BE542003013 (u. 36)
14	FRONT WHEEL HOLDER 1.6x21 0/000.220.9114 (u. 1)
15	FRONT TIRE HOLDING BUSHING EC-2010 8X12X12 0/000.480.9112 (u. 1)

16	NUT DIN 985 M8 GRADE 8 ZINC/WHITE 0/000.340.0181 (u. 1)
	SELF-LOCKING NUT M-8 LOW DIN 985 ZINC 0/000.340.9114 (u. 1)
18	FRONT TUBE 21MDR VALVE TR4 833092 0/000.520.9100 (u. 1)
19	PROT.BAND FRONT.FLAP 1.60/1.85 X 21(1400X25) 949947 0/000.220.9108 (u. 1)
20	MAGNET EC 2010 0/001.010.9101 (u. 1)
21	SEGEER A 9 DIN 471 STAINLESS STEEL MAGNET BRACKET EC 2010 0/000.300.9100 (u. 1)
22	FRONT WHEEL BUSHING 0/000.480.9100 (u. 1)
23	SET BEARINGS AND SEALS FRONT WHEEL BE51000CT2510 (u. 1)

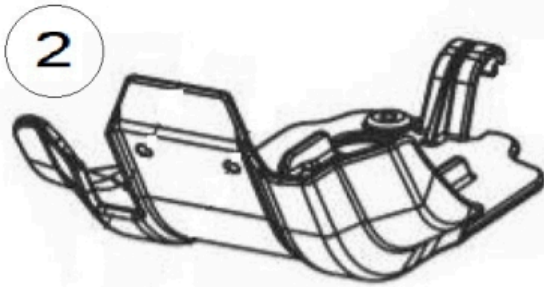
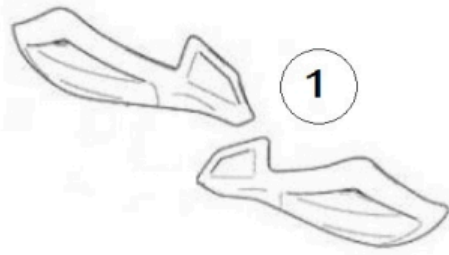
REAR WHEEL



2	REAR WHEEL BEARING 6005-2SRH C3 BE250318054 (u. 1)	
3	FRONT WHEEL SEAL 32X47X7 BE250318055 (u. 1)	
4	SHORT REAR WHEEL DIST. 0/000.480.9104 (u. 1)	
5	AXLE REAR WHEEL EC 2018 0/000.190.9103 (u. 1)	
6	SCREW DIN 6921 HEX.8 TX30 M6x14 CAL.10.9 GEOMET 0/000.460.9215 (u. 6)	
	HEX BOLT WASHER 6x14 (Fork Brace) DIN 6921 0/000.460.9118 (u. 6)	Obsolete
7	REAR DISC BRAKE MR 220mm 0/001.090.9108 (u. 1)	
	REAR BRAKE DISC FLOR EC 2010 0/001.090.9102 (u. 1)	Obsolete
8	SPOKE 192X4.5 BRAKE SIDE 18" BE59200GG-CLJ-1 (u. 18)	
9	SPOKE 188X4.5 CROWN SIDE 18" BE59210GG-CLJ-1 (u. 18)	
10	REAR TUBE CH 18 MGR VALVE TR4 MICHELIN 0/000.520.9102 (u. 1)	
11	REAR BAND PROTECTOR 1.60/2.00 X 18/19 (1300X25) 656415 MICHELIN 0/000.220.9110 (u. 1)	
13	REAR GRIP 2.15x18 0/000.220.9115 (u. 1)	
14	SELF-LOCKING NUT M-8 LOW DIN 985 ZINC 0/000.340.9114 (u. 1)	
	NUT DIN 985 M8 GRADE 8 ZINC/WHITE 0/000.340.0181 (u. 1)	

15	REAR WHEEL HUB EC 2018 BE59100GG-CLJ-1 (u. 1)
16	BEARING 6004 2RS1 C160001 (u. 2)
17	INNER SPACER REAR HUB ENDURO 2018 BE59105GG-CLJ-1 (u. 1)
18	SPACER REAR WHEEL LEFT. ENDURO 2018 0/000.480.9113 (u. 1)
19	SPROCKET Z 48 ENDURO 2011 COLOR TITANIUM. 0/000.500.9101 (u. 1)
	SPROCKET Z 50 ENDURO 2014 COLOR TITANIUM 0/000.500.9102 (u. 1)
	Z49 SPROCKET CROSS 250 0/000.500.9100 (u. 1)
20	M8 NUT DIN 6926 GRADE 8 ZINC/WHITE 0/000.340.0180 (u. 6)
21	ALLEN SCREW 8x30 DIN 7991 ZINC 12.9 0/000.460.9153 (u. 6)
22	REAR WHEEL NUT. ENDURO 2018 0/000.340.9104 (u. 1)
23	CHAIN 520 RXP PACKAGED 112 LINKS (WITHOUT SEALS) 0/001.050.9101 (u. 1)
24	CHAIN LINK 520 RXP 0/001.050.9111 (u. 1)
25	REAR SPOKE NUT BE592153013 (u. 36)
26	FRONT WHEEL SEAL 25x42x7 C160710 (u. 1)
28	CHAIN TENSIONER PASS-THROUGH ENDURO 2018 0/000.380.9101 (u. 1)
29	CHAIN TENSIONER BLIND ENDURO 2018 0/000.380.9100 (u. 1)
30	REAR WHEEL 2.15 x 18" MR RANGER 2022 0/000.120.9102 (u. 1)
31	REAR WHEEL RIM 18x2.15" BLACK ANODIZED 0/000.230.9105 (u. 1)
32	SEEGERRING D42 BE25618038 (u. 1)
33	SUPPLEMENTARY WASHER RODA BE250318056 (u. 1)
35	SET BEARINGS AND SEALS REAR WHEEL BE56000CT2510 (u. 1)

ACCESSORIES



2

ENDURO 2018 CRANKCASE PROTECTOR WITH HARDWARE
0/R00.220.9100 (u. 1)

STICKERS

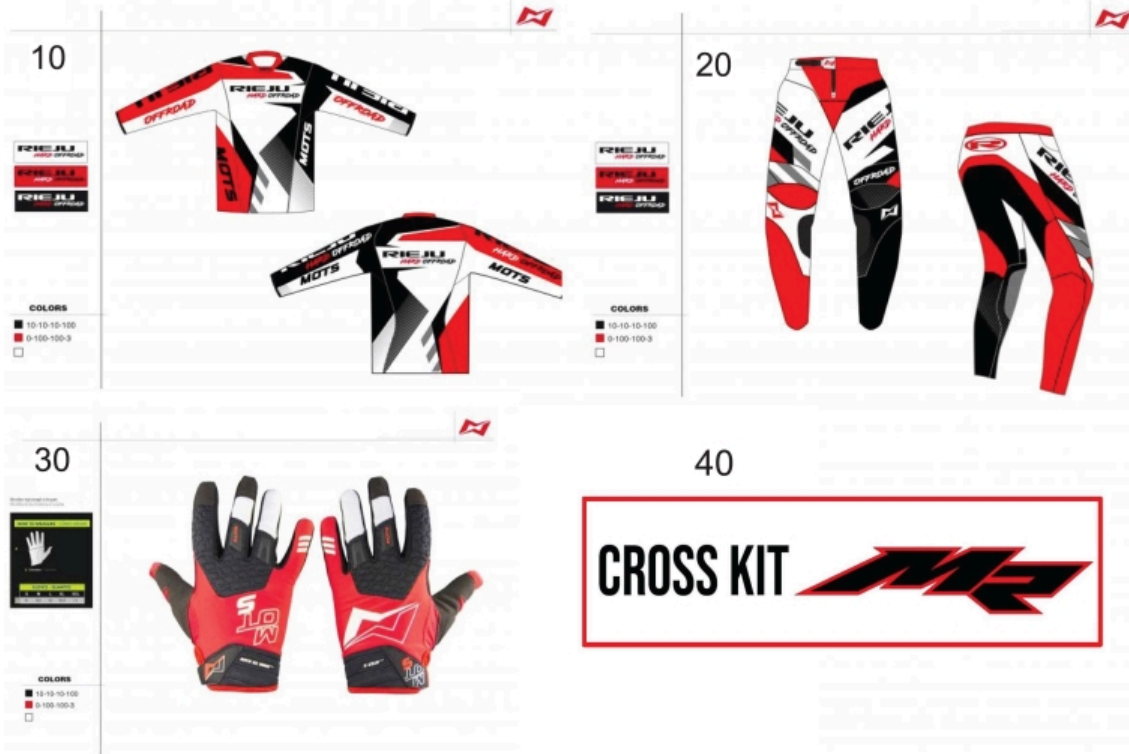
0/000.390.9132 JUEGO CALCAS MR RANGER 2022



1

STICKER SET MR RANGER 2022
0/000.390.9132 (u. 1)

ACCESSORIES



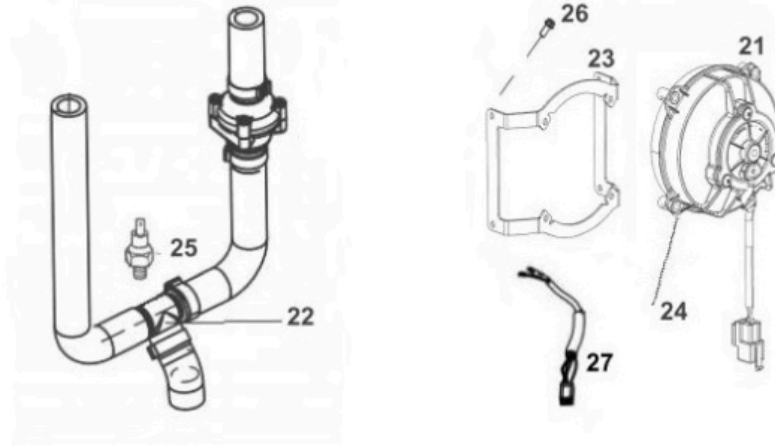
	T-SHIRT HARD OFF ROAD RED SIZE L 0/000.001.0272 (u. 1)	
	HARD OFF ROAD RED SHIRT SIZE XL 0/000.001.0273 (u. 1)	Obsolete
10	HARD OFF ROAD RED SHIRT SIZE XXL 0/000.001.0274 (u. 1)	
	T-SHIRT HARD OFF ROAD RED SIZE M 0/000.001.0271 (u. 1)	Obsolete
	HARD OFF ROAD RED SHIRT SIZE S 0/000.001.0270 (u. 1)	
	HARD OFF ROAD PANTS RED SIZE S 0/000.001.0275 (u. 1)	
	PANTS HARD OFF ROAD RED SIZE L 0/000.001.0277 (u. 1)	
20	PANTS HARD OFF ROAD RED SIZE XXL 0/000.001.0279 (u. 1)	
	HARD OFF ROAD PANTS RED SIZE M 0/000.001.0276 (u. 1)	
	HARD OFF ROAD RED PANTS SIZE XL 0/000.001.0278 (u. 1)	
	GLOVES HARD OFF ROAD 2021 S.L 0/000.001.0282 (u. 1)	Obsolete
	GLOVES HARD OFF ROAD 2021 XL 0/000.001.0283 (u. 1)	Obsolete
30	GUANTES HARD OFF ROAD 2021 TALLA M 0/000.001.0281 (u. 1)	Obsolete
	GLOVES HARD OFF ROAD 2021 XXL 0/000.001.0284 (u. 1)	Obsolete
	GLOVES HARD OFF ROAD 2021 S 0/000.001.0280 (u. 1)	Obsolete

40

EC KIT TO CONVERT TO XC
BE99996CT-CMV-1 (u. 1)

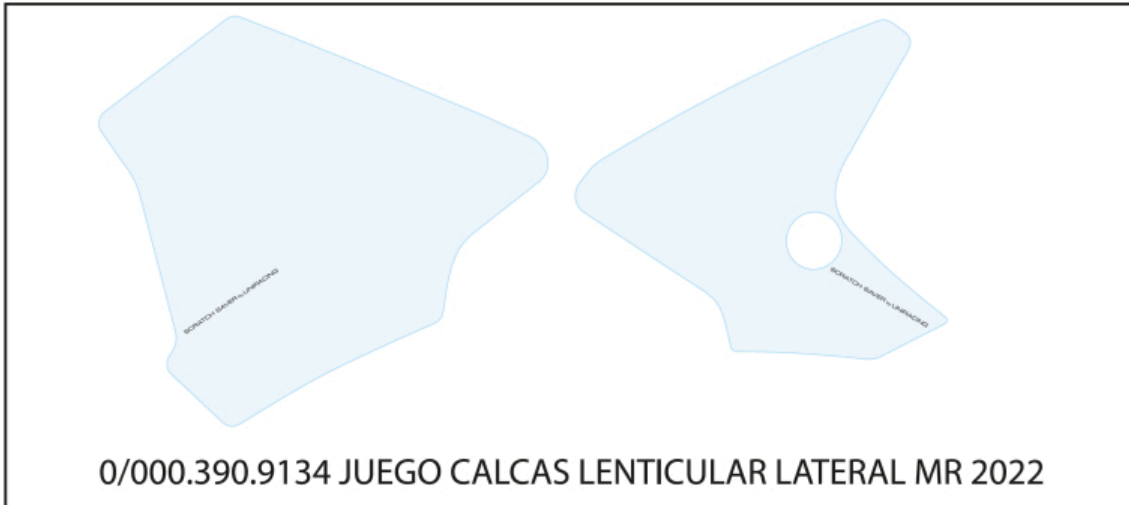
ELECTRICAL FAN

**28 = 21, 22, 23, 24,
25, 26, 27**



21	RADIATOR FAN 0/005.060.9100 (u. 1)
22	T-TYPE CONNECTOR MR RADIATOR 0/000.290.9119 (u. 1)
23	FAN SUPPORT MR 0/000.980.9124 (u. 1)
24	SCREW CELO RHS81P 5X12 TORX Z/WHITE 0/000.460.0090 (u. 4)
25	TEMPERATURE SENSOR 87° M14x1.5 0/001.010.9102 (u. 1)
26	RIVET DIN 7337/B 4.8x10 L/BLACK 0/000.330.0053 (u. 4)
27	ELECTRIC FAN INSTALLATION MR 0/000.160.9111 (u. 1)
28	ELECTROFAN KIT MR + BRACKET + INSTALLATION 0/K05.060.9100 (u. 1) - Para chasis < L00100 necesita 0/000.160.9112

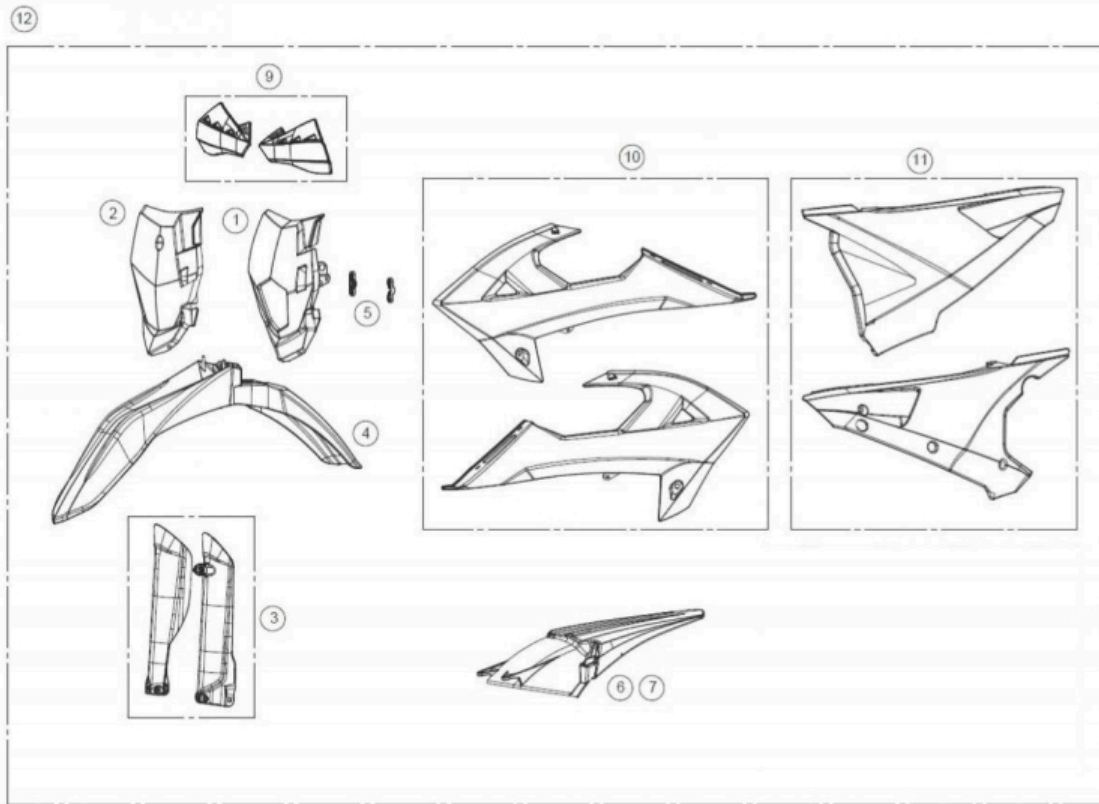
TRANSPARENT STICKER



1

LATERAL LENTICULAR DECAL SET MR 2022
0/000.390.9134 (u. 1)

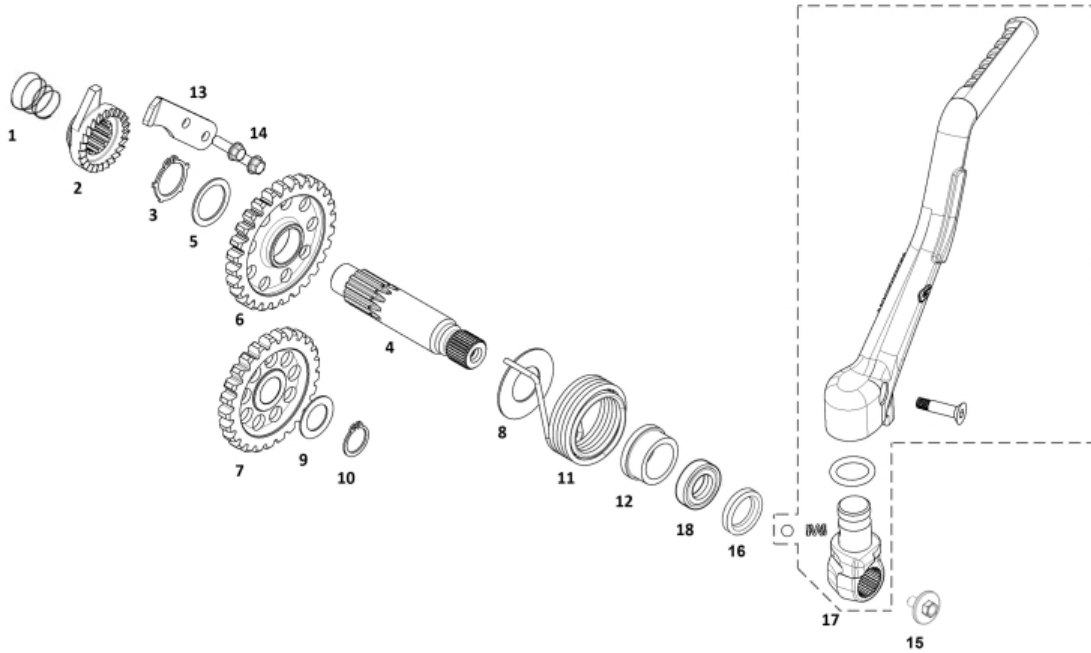
FAIRING



1	HEADLIGHT HOLDER EC 2018 BL. 0/000.620.9100 (u. 1)	
2	FRONT NUMBER PLATE CROSS COUNTRY 2018 WHITE 0/000.570.9113 (u. 1)	
3	SET OF FORK PROTECTORS MR WHITE 0/000.220.9144 (u. 1)	
4	FRONT FENDER EC 2018 WHITE 0/000.050.9101 (u. 1)	
5	HEADLIGHT BRACKET MR BLACK INJ. 0/000.980.9127 (u. 2) FRONT SUPPORT HEADLAMP 0/000.980.9104 (u. 2)	Obsolete
6	SET REAR FENDER EC 2018 WHITE. 0/000.060.9100 (u. 1)	
9	SET HANDGUARDS ENDURO WHITE (QWEST) 0/000.770.9100 (u. 1)	
10	WHITE RADIATOR PROTECTION PLATE KIT MR 0/K00.570.9107 (u. 1)	
11	SET SIDE NUMBER PLATES WHITE MR 0/K00.570.9101 (u. 1)	
12	FULL PLASTIC KIT MR WHITE 0/K00.570.9105 (u. 1)	

ENGINE MR 2022 V1

KICK STARTER

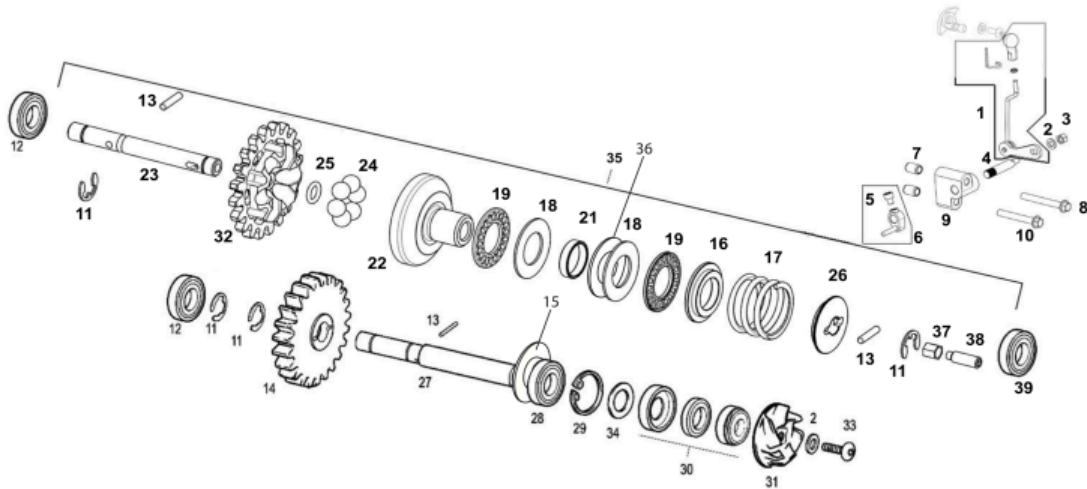


1	KICKSTART RATCHET SPRING 0/000.470.9109 (u. 1)
2	KICKSTART RATCHET EC125cc 0/005.400.9110 (u. 1)
3	CIRCLIP D.20 DIN 471 0/000.300.9105 (u. 1)
4	KICKSTART SHAFT EC-2001 0/005.400.9106 (u. 1)
5	END WASHER 27X20.2X1 STARTER SHIFT 0/000.440.9109 (u. 1)
6	STARTER PINION EC-2001 0/005.400.9105 (u. 1)
7	STARTER INNER PINION EC-2008 0/005.400.9108 (u. 1)
8	KICKSTART WASHER 40x20,15x1 0/000.440.9111 (u. 1)
9	WASHER PINION STARTER 24X15.15X0.8 0/000.440.9110 (u. 1)
10	SEEGGER RING DIN 471 D.15 0/000.300.9101 (u. 1)
11	KICKSTART SPRING 0/000.470.9110 (u. 1)
12	KICKSTART SPRING CENTERING BUSHING 0/000.480.9125 (u. 1)
13	KICKSTART RATCHET PLATE 0/000.980.9114 (u. 1)
14	BOLT + WASHER 5x15 DIN 6921 GEOMET 10.9 0/000.460.9115 (u. 2)
15	SPECIAL SCREW 6X11 GEOMET 10.9 0/000.460.9134 (u. 1)
16	BUSH STARTER PEDAL EC 2014 0/000.480.9126 (u. 1)
17	STARTER LEVER MR 2021 0/005.430.9103 (u. 1)

18

KICKSTART PEDAL OIL SEAL 20X30X7
0/000.890.9105 (u. 1)

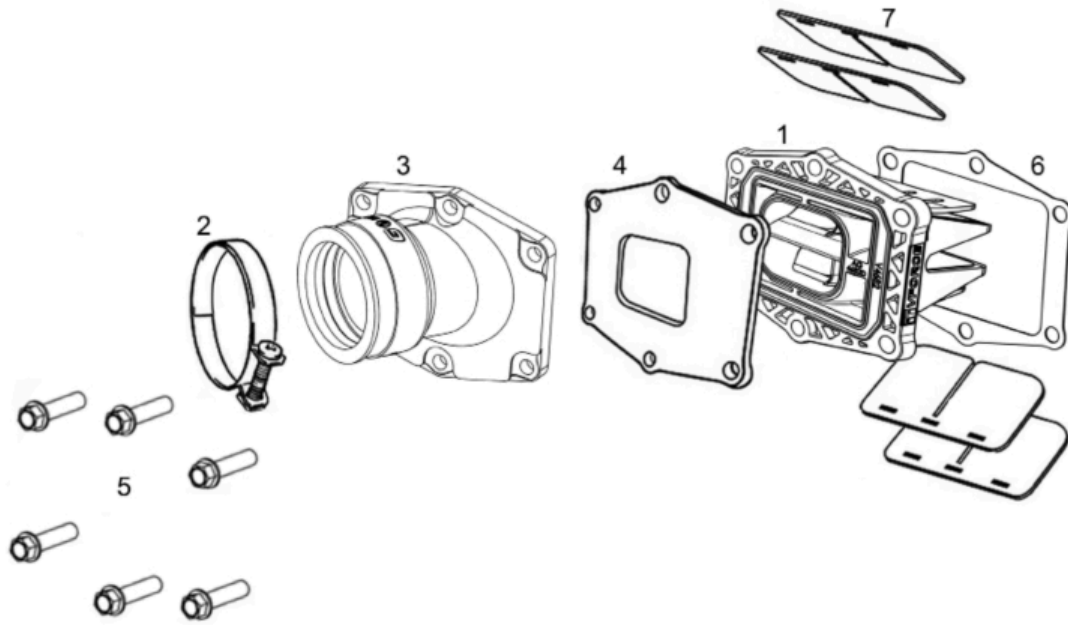
WATER PUMP



1	SET EXHAUST VALVE PUSHROD COMPLETE EC 2015 0/000.640.9104 (u. 1)	
2	WASHER 5X12X1.5 DIN 125A ZINC 0/000.440.9121 (u. 2)	
3	SELF-LOCKING NUT M5 LOW DIN-985 ZINC 8 0/000.340.9112 (u. 1)	
4	CORRECTED TRANSLATION: CENTRIFUGAL LEVER AXLE 0/000.190.9108 (u. 1)	
6	SET LEVER CENTRIFUGAL EC 300 2011 0/005.490.9101 (u. 1)	
7	ENGINE CASE LOCATOR BUSHING 0/000.480.9119 (u. 2)	
8	HEX HEAD SCREW DIN 6921 M6x60 GRADE 10.9 GEOMET 0/000.460.9128 (u. 1)	
9	BRACKET AXLE CONTROL VALVE EC 2015 0/000.980.9115 (u. 1)	
10	HEX HEAD SCREW DIN 6921 M6x40 THREAD 20 CLASS 10.9 GEO 0/000.460.9125 (u. 1)	
11	SEEGERRING DIN 6799 E7 0/000.300.9103 (u. 4)	
12	608Z C3 BEARING 0/000.960.9108 (u. 2)	
13	ROLLER 3X14 .DIN 7 ISO 2338 STAINLESS A1 CENTRIFUGAL WATER PUMP 0/000.280.9101 (u. 3)	
14	WATER PUMP PINION AND CENTERING 0/005.400.9111 (u. 1)	
15	WASHER DIAM.10 X DIAM.19 X 0.5 0/000.440.9113 (u. 1)	
16	CENTRIFUGAL SPRING RETAINER ME59026GG-CEQ-1 (u. 1) - 250cc / 300cc	Obsolete
17	CENTRIFUGAL EXHAUST VALVE SPRING 99 ME25916026 (u. 1) - 250cc / 300cc	
18	NEEDLE CAGE PLATE AS 15 0/000.440.9107 (u. 2)	
19	NEEDLE CAGE AXK 1528 0/000.960.9109 (u. 2)	
21	CENTRIFUGAL BEARING SPACER ME25616008 (u. 1)	

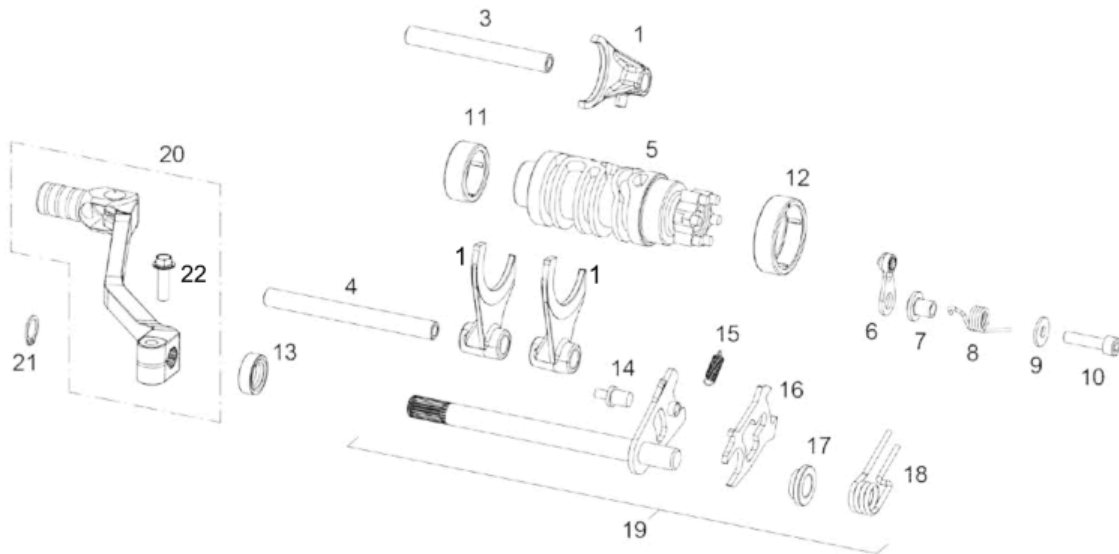
22	CLUCTH OUTER CENTRIFUGAL EC 2015 ME59030GG-CEQ-1 (u. 1)	Obsolete
23	AXLE CENTRIFUGAL EC 2015 ME59015GG-CEQ-1 (u. 1)	
24	8mm Clutch Ball Bearing 50cc ME25616033 (u. 6)	Obsolete
25	6X2 O-RING EXHAUST VALVE CENTRAL SHAFT ME25616045 (u. 1)	
26	ARAMOF LA APYO SPRING EC 300 2015 ME59025GG-CEQ-1 (u. 1) - 250cc / 300cc	Obsolete
27	WATER PUMP PINION SHAFT 0/000.190.9104 (u. 1)	
28	WATER PUMP BEARING 6000 C3Z=M03313001 0/000.960.9107 (u. 1)	
29	SEEGERS D.26 DIN 472-I26 0/000.300.9106 (u. 1)	
30	WATERPUMP SEAL (STUFFED) 1510 CA/CE 1 0/000.890.9104 (u. 1)	
31	WATER PUMP IMPELLER 2014 0/005.220.9100 (u. 1)	
32	PINION CENTRIFUGAL EC 300 2015 ME59050GG-CEQ-1 (u. 1)	
34	WASHER 25.8x17.5x0.5 WATER PUMP 0/000.440.9103 (u. 1)	
35	CENTRIFUGAL COMPLETE EC 300 2015 0/000.640.9101 (u. 1)	
	CENTRIFUGAL COMPLETE EC 200 2019 0/000.640.9102 (u. 1)	
39	BEARING BALL 619/8-ZZ 0/000.960.9105 (u. 1)	

REED VALVE



1	<p>REED VALVE ASSEMBLY V-FORCE 4 0/005.600.9100 (u. 1)</p> <p>LAMINAR BOX V405D 0/005.600.9102 (u. 1)</p>	Obsolete
2	<p>CLAMP S56/9 W1 ZINC 0/000.680.9109 (u. 1)</p>	
3	<p>INTAKE MANIFOLD ENDURO 2018 0/000.290.9116 (u. 1)</p>	
4	<p>GASKET BOX REED VALVES MANIFOLD ENDURO 2018 0/000.490.9114 (u. 1)</p>	
5	<p>SPECIAL BOLT DIN 6921 HEX.8 M6x25 GRADE 10.9 GEOMET 0/000.460.9121 (u. 6)</p> <p>TORN.ESP. DIN 6921 Hex.8 TX30 M6x25 Cal.10.9 GEOMET 0/000.460.9182 (u. 6)</p>	Obsolete
6	<p>CRANKCASE REED VALVE GASKET 0/000.490.9120 (u. 1)</p>	
7	<p>REED VALVE SET ME27000GG-CAB-1 (u. 2)</p>	

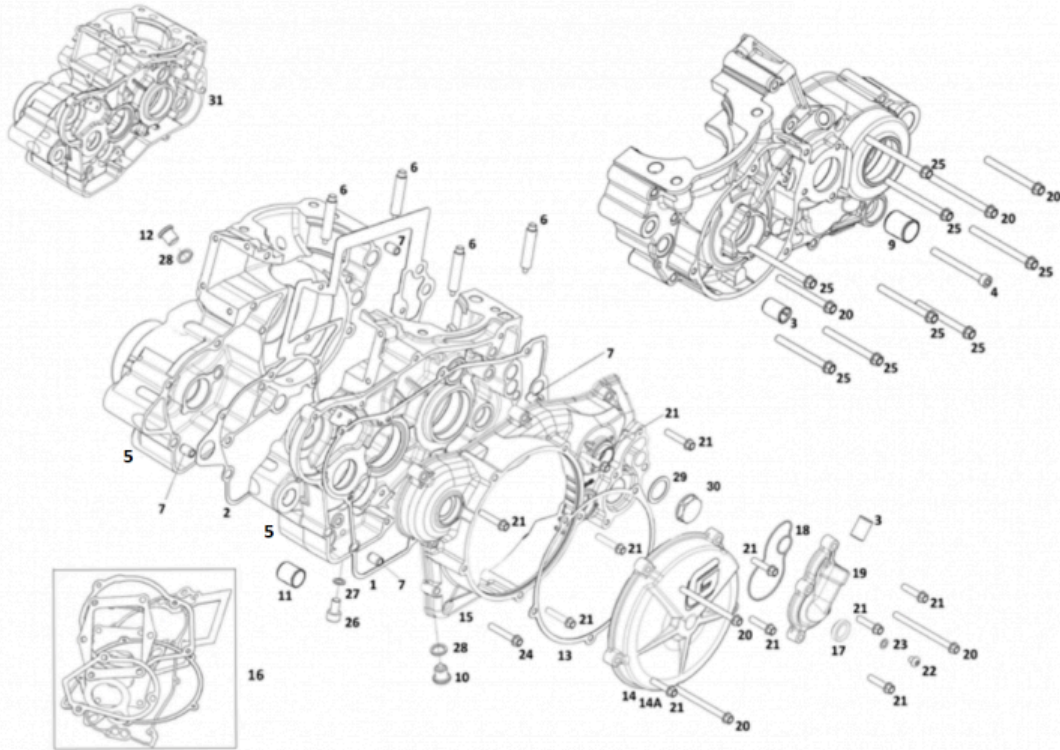
CHANGE SHAFT



1	SET PRIMARY AND SECONDARY FORKS ENDURO 2018 ME47000CT-CLJ-1 (u. 1)
3	SHORT FORK AXIS 0/000.190.9107 (u. 1)
4	LONG FORK AXLE 0/000.190.9106 (u. 1)
5	DESMODROMIC EC-2005 0/005.090.9100 (u. 1)
6	GEAR FIXING EC COMP. 0/005.560.9100 (u. 1)
7	GEAR FIXING PLATE BUSHING 0/000.480.9122 (u. 1)
8	GEAR FASTENING SPRING EC-2000 0/000.470.9108 (u. 1)
9	FLAT WASHER 6.5X16X1.5 DIN 125 ZINC 0/000.440.9125 (u. 1)
10	TORN.ESP. DIN 6921 Hex.8 TX30 M6x25 Cal.10.9 GEOMET 0/000.460.9182 (u. 1)
	SPECIAL BOLT DIN 6921 HEX.8 M6x25 GRADE 10.9 GEOMET 0/000.460.9121 (u. 1)
	Obsolete
11	DESMODROMIC BEARING HK2512 =M03645000 0/000.960.9111 (u. 1)
12	DESMODROMIC ROLLER BEARING HK3512=M03650000 0/000.960.9110 (u. 1)
13	SEAL 12-22-7 AS-CC =M03821000 0/000.890.9107 (u. 1)
14	CENTER SELECTOR SPRING SCREW 0/000.460.9110 (u. 2)
15	SCORPION 250.TT SPRING ME25636039 (u. 1)
16	SCORPION EC250-2002 ME250236036 (u. 1)
17	SCORPION CENTERING BUSHING EC250-2002 ME250236041 (u. 1)
18	SELECTOR SPRING ME25636035 (u. 1)

19	GEAR SELECTOR SHAFT SET 0/005.010.9100 (u. 1)	
20	GEAR LEVER SET RF2014 0/005.430.9100 (u. 1)	Obsolete
21	SEEGERRING DIN 471 12 0/000.300.9104 (u. 1)	
22	HEXAGONAL FLANGE SCREW DIN 6921 TX30 M6x20 GRADE 10.9 GEOMET 0/000.460.9181 (u. 1)	
	BOLT 6x20 DIN 6921 GEOMET 10.9 0/000.460.9120 (u. 1)	Obsolete

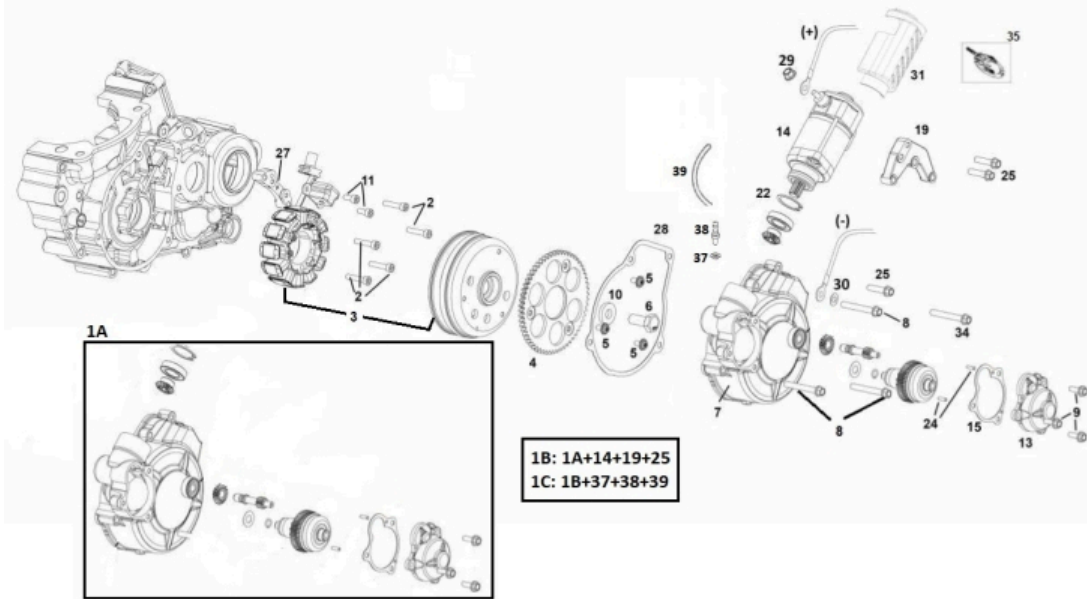
CARTER



1	CLUTCH COVER GASKET 0.6mm 0/000.490.9108 (u. 1)
2	GASKET CRANKCASE 2018 0/000.490.9118 (u. 1)
3	WATER INLET FITTING 0/000.480.9123 (u. 2)
4	ALLEN 6X60 DIN 912 ZINC 12.9 0/000.460.9150 (u. 1)
5	SET CRANKCASES ENDURO 300 2018 ME10000CT-CLJ-1 (u. 1) - 300 CC SET CRANKCASES ENDURO 200 2018 ME10000CT-CLP-1 (u. 1) - 200 CC
6	CYLINDER STUD 0/000.280.9100 (u. 4)
7	ENGINE CASE LOCATOR BUSHING 0/000.480.9119 (u. 4)
9	BRAKE PEDAL GLACIER 1215PD10 0/000.480.9117 (u. 1)
10	HEXAGONAL OIL DRAIN PLUG 0/000.410.9104 (u. 1)
11	GLACIER PEDAL DAP 1212PD 0/000.480.9105 (u. 1)
12	HEXAGONAL TITANIUM-COLORED OIL FILLER PLUG 0/000.410.9103 (u. 1)
13	DISCS COVER GASKET 2014 0/000.490.9104 (u. 1)
14	CLUTCH DISC COVER GRAY 0/000.350.9105 (u. 1)

	SIGHT GLASS OIL LEVEL EC400-4T 0/000.410.9106 (u. 1)	
	KICKSTART PEDAL OIL SEAL 20X30X7 0/000.890.9105 (u. 1)	
15	COVER CLUTCH GRAY RAL (9006) 0/000.350.9107 (u. 1)	
	THREADED BUSHING CENTRIFUGAL PLUG 0/000.980.9131 (u. 1)	
16	ENDURO ENGINE GASKET KIT 2018 ME94610CT-CLJ-1 (u. 1)	
17	SIGHT GLASS OIL LEVEL EC400-4T 0/000.410.9106 (u. 1)	
18	WATER PUMP COVER GASKET 2014 0/000.490.9115 (u. 1)	
19	WATER PUMP COVER 0/000.220.9124 (u. 1)	
20	HEXAGONAL SCREW DIN 6921 M6x75 THREAD 20 GRADE 10.9 GEO 0/000.460.9129 (u. 6)	
21	SPECIAL BOLT DIN 6921 HEX.8 M6x25 GRADE 10.9 GEOMET 0/000.460.9121 (u. 11)	Obsolete
	TORN.ESP. DIN 6921 Hex.8 TX30 M6x25 Cal.10.9 GEOMET 0/000.460.9182 (u. 11)	
22	SCREW SPECIAL 6X10+WASHER GEOMET 10.9 0/000.460.9133 (u. 1)	Obsolete
23	COPPER WASHER 6X10X1.5 WATER PUMP BOLT 0/000.440.9122 (u. 1)	
24	SPECIAL BOLT DIN 6921 HEX.8 M6X35 CAL.10.9 GEOMET 0/000.460.9124 (u. 1)	
25	HEX HEAD SCREW DIN 6921 M6x60 GRADE 10.9 GEOMET 0/000.460.9128 (u. 8)	
27	COPPER WASHER 8X12X1.5 DIN 125 A ISO 7089 0/000.440.9128 (u. 1)	
28	SPARK PLUG WASHER 12X18X2 0/000.440.9114 (u. 2)	
29	O-RING 20 x 1.5 NBR 70 0/000.490.9116 (u. 1)	
30	CAP ADJUSTMENT CENTRIFUGAL 0/000.410.9105 (u. 1)	
31	SET CRANKCASES ENDURO 300 2018 ME10000CT-CLJ-1 (u. 1) - 250cc / 300cc	
32	ENGINE CASE LOCATOR BUSHING 0/000.480.9119 (u. 2)	

FLYWHEEL - ELECTRIC STARTER

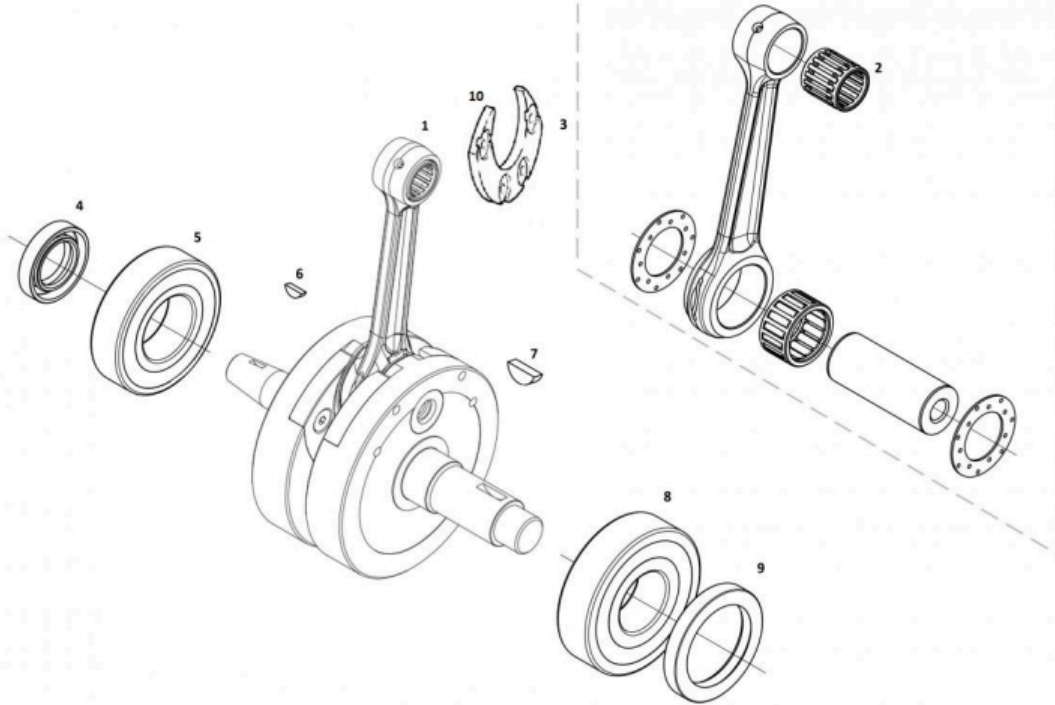


1A	STARTER COVER KIT + UPGRADED BENDIX 0/005.480.9103 (u. 1) - <i>WITHOUT STARTER ENGINE</i>
1B	ELECTRIC STARTER KIT MR 2022 0/005.480.9102 (u. 1) - <i>WITH STARTER ENGINE</i>
1C	ELECTRIC STARTER KIT MR 2022 + DEVAPORIZER 0/K05.480.9102 (u. 1) - <i>WITH STARTER ENGINE</i>
2	ALLEN BOLT 5X25 DIN 912 DRACOMET 8.8 0/000.460.9146 (u. 5)
3	SET MAGNETIC FLYWHEEL MR 2022 0/005.820.9104 (u. 1)
4	ELECTRIC START RING GEAR EC 2015 0/005.400.9102 (u. 1)
5	TORX BUTTON HEAD WASHER 5X8 ISO 7380-2 10.9 0/000.460.9154 (u. 3)
6	HEX HEAD SCREW DIN 6921 M10x25x125 GRADE 10.9 GEOMET 0/000.460.9112 (u. 1)
8	HEX HEAD SCREW DIN 6921 M6x40 THREAD 20 CLASS 10.9 GEO 0/000.460.9125 (u. 1)
9	BOLT + WASHER 5x15 DIN 6921 GEOMET 10.9 0/000.460.9115 (u. 3)
11	ALLEN 5x10 DIN 912 ZINC 12.9 0/000.460.9145 (u. 2)
13	COVER BENDIX EC 2015 EE80130GG-CBR-2 (u. 1)
14	STARTING MOTOR.EC 2015 PHI50mm 0/005.480.9100 (u. 1)
15	SEAL COVER BENDIX EC 2015 FOAMET 0.6 EE80135GG-CBR-1 (u. 1)
19	ELECTRIC START ENGINE MOUNT EC 2015 0/000.980.9111 (u. 1)
24	NEEDLE DIN5402-3 TYPE BF DIAM-3X9.8 FLAT EE80140GG-CBR-1 (u. 2)
25	SPECIAL BOLT DIN 6921 HEX.8 M6x25 GRADE 10.9 GEOMET 0/000.460.9121 (u. 3)
	TORN.ESP. DIN 6921 Hex.8 TX30 M6x25 Cal.10.9 GEOMET 0/000.460.9182 (u. 3)

Obsolete

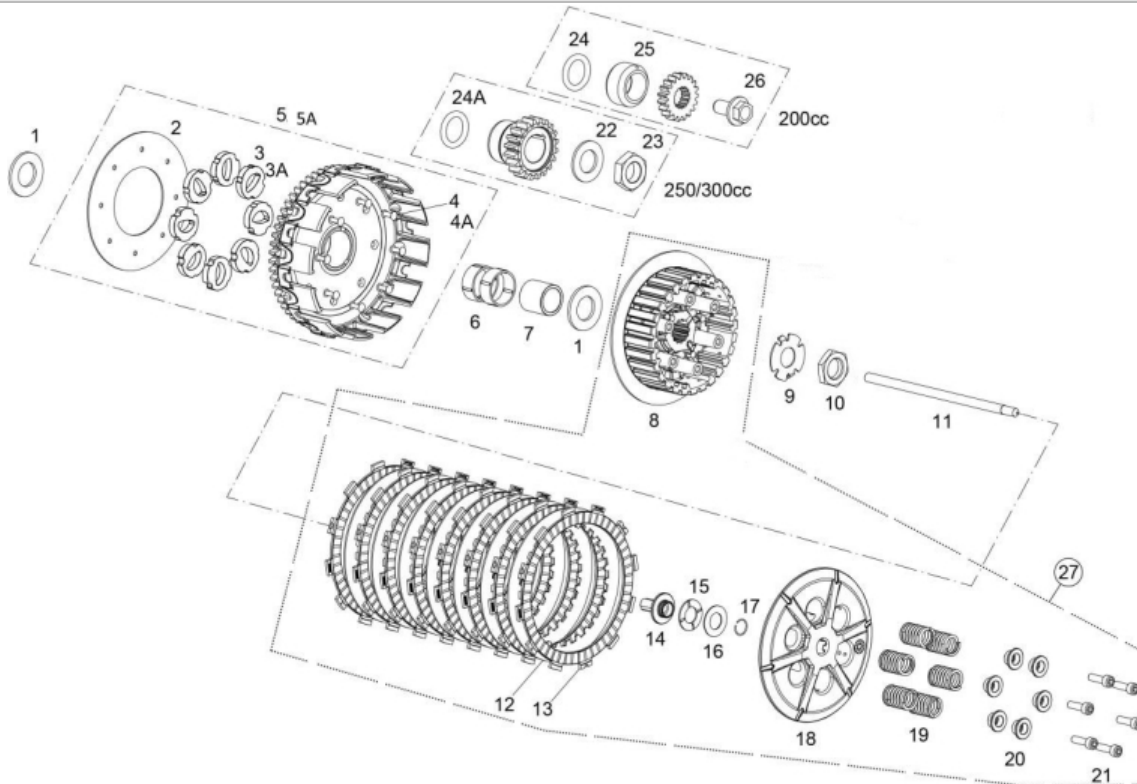
27	ADAPTER PUSH BUTTON HIDRIA EC 2014 V2 0/000.980.9109 (u. 1)	
28	GASKET FLYWHEEL COVER 0/000.490.9119 (u. 1)	
29	NUT + WASHER M-6 SERRATED DIN 6923 ZINC 8 0/000.340.9116 (u. 1)	
30	FLAT WASHER 6x12x1.5 DIN 125 ZINC 0/000.440.9124 (u. 1)	
31	COVER ELECTRIC START ENDURO 2018 0/000.220.9119 (u. 1)	
32	ALLEN 6X45 DIN 912 ZINC 12.9 0/000.460.9149 (u. 1)	
33	ALLEN 6X40 DIN 912 ZINC 12.9 0/000.460.9148 (u. 1)	
34	ORIGINAL TEXT: TORN.ESP. DIN 6921 HEX.8 TX30 M6x50 FIL.20 CAL.10.9 GEOMET 0/000.460.9186 (u. 1)	
	HEAD SCREW 6x50 DIN 6921 GEOMET 10.9 0/000.460.9126 (u. 1)	Obsolete
35	STARTER MOTOR BRUSHES EE80010GG-CBR-1 (u. 1)	
37	FIBER WASHER 6X10X1.5 0/000.440.9123 (u. 1)	
38	CRANKCASE VENT NIPPLE D.3 0/000.630.9105 (u. 1)	
39	COPOLAN-NBR-NVC TUBE Ø5 x Ø9 x 450 0/000.290.9126 (u. 1)	

CRANKSHAFT



	SET CRANKSHAFT ENDURO 2018 0/005.380.9100 (u. 1)
1	CRANKSHAFT EC200-2014 0/005.380.9102 (u. 1) - ENGINE 200CC
2	ROD RV 18X22X21.8 S CONNECTING ROD SMALL END BEARING ME25616035 (u. 1)
3	CONNECTING ROD ENDURO 250 ME25612100 (u. 1)
4	LEFT SIDE CRANKSHAFT SEAL 20x35x6/6.5 0/000.890.9103 (u. 1)
5	LEFT CRANKSHAFT BEARING 6206- TN9/C4 (OPEN) 0/000.960.9115 (u. 1)
6	KEY 3x3.7 D.10 DIN 6888 0/005.490.9102 (u. 1)
7	KEY DIN 6888 16 X 5 X 6.5 0/005.490.9100 (u. 1)
8	RIGHT CRANKSHAFT BEARING 63/28-HN3/C3 GXN (OPEN) 0/000.960.9116 (u. 1)
9	RIGHT CRANKSHAFT SEAL TB2J 38-52 7 0/000.890.9102 (u. 1)
	NYLON CRANKSHAFT COUNTERWEIGHT 200 0/005.075.9100 (u. 1) - 200 cc
10	NYLON CRANKSHAFT COUNTERWEIGHT 250-300 0/005.075.9101 (u. 1) - 250-300 cc

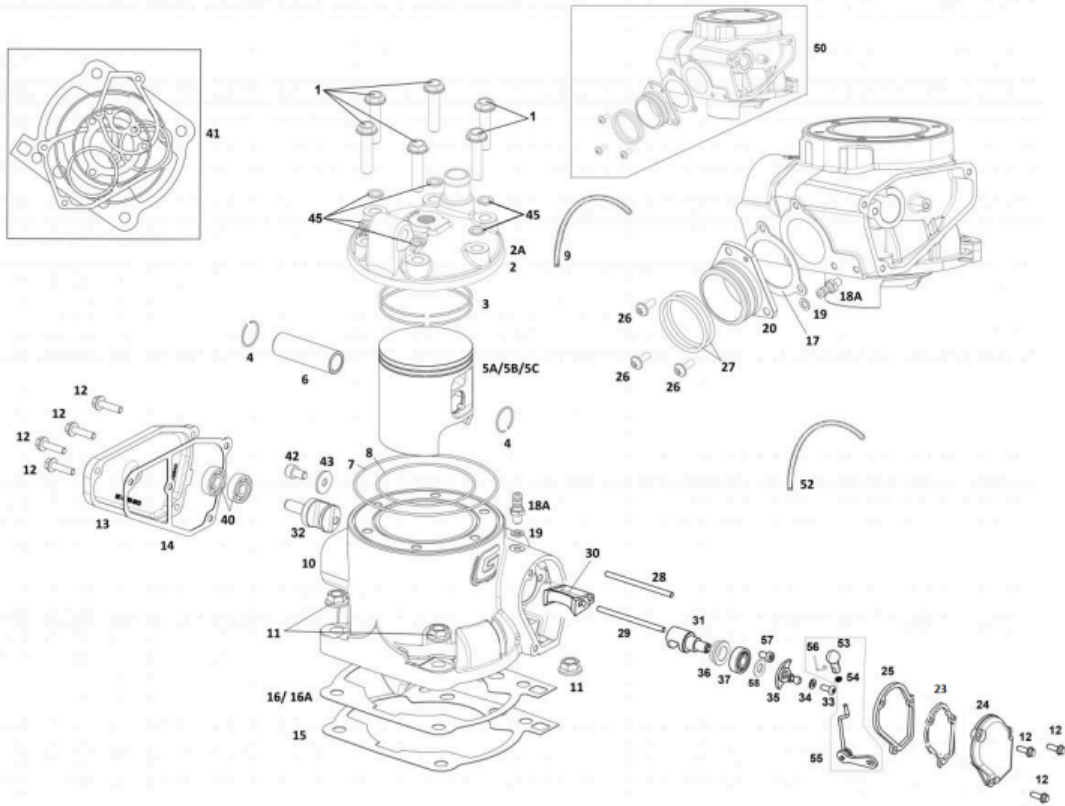
CLUTCH



1	CLUTCH BELL WASHER 22.1X42X2.8 0/000.440.9106 (u. 2)
2	CLUTCH BOSS WASHER ME20932009 (u. 1)
3	SILENTBLOCK RUBBER C4015/115 EMBR.3376 (8 UNITS) ME20932008B (u. 8)
3	SILENTBLOCK ME20932008 (u. 8) Obsolete
4	CLUTCH BELL RIVETS ME250132010 (u. 8)
5	ENDURO 200 CLUTCH SPROCKET SET 0/005.400.9103 (u. 1)
5	SET SPROCKET-PINION CLUTCH ENDURO 250-300 2014 0/005.400.9104 (u. 1)
6	BEARING SET K28X33X13FV-M1 M3 0/000.980.9113 (u. 2)
7	CLUTCH BELL HOUSING 0/000.480.9121 (u. 1)
8	CLUTCH HUB ENDURO 2018 ME22005GG-CLJ-1 (u. 1)
9	CLUTCH LOCK WASHER ENDURO 0/000.440.9104 (u. 1)
10	CLUTCH HUB NUT 0/000.340.9107 (u. 1)
11	CLUTCH ROD MR 0/000.190.9105 (u. 1)
12	IRON CLUTCH DISCS ME22105GG-CLJ-1 (u. 7)
13	COVERED CLUTCH DISCS ME22100GG-CLJ-1 (u. 8) - BEST QUALITY
13	COVERED CLUTCH DISCS ME25632007 (u. 8)

14	CLUTCH PRESSURE PLATE BUSHING 0/000.480.9120 (u. 1)
15	NEEDLE CAGE AXK 1528 0/000.960.9109 (u. 1)
16	NEEDLE CAGE PLATE AS 15 0/000.440.9107 (u. 1)
17	DIN 7993 RING Ø14x1 0/000.300.9102 (u. 1)
18	ENDURO PRESSURE PLATE 2018 ME23000GG-CLJ-1 (u. 1)
19	SPRING CLUTCH EC 2018 ME22025GG-CLJ-1 (u. 6)
20	SPRING CLUTCH KIT EC-2018 ME22020GG-CLJ-1 (u. 6)
21	ALLEN BOLT 6X25 TA.EMB, CART, SUSP.12.9 T0306025 (u. 6)
22	POLISHED WASHER DIN 125 D-20 ZINC 40-42HRC 0/000.440.9108 (u. 1)
23	CRANKSHAFT PINION LOCKING NUT EC-2000 0/000.340.9106 (u. 1)
24	PRIMARY CLUTCH PINION O-RING (Ø23*5 NBR) 0/000.490.9106 (u. 1)
25	CRANKSHAFT BUSHING 25X38X20 0/000.480.9127 (u. 1)
26	SPECIAL SCREW 12X25X1.25 THREAD 20 12.9 GEOMET 0/000.460.9114 (u. 1)
27	SET CLUTCH HUB ENDURO 2018 0/005.350.9100 (u. 1)

CYLINDER



HEXAGON HEAD SCREW DIN 6921 M8x35 THREAD 25 GRADE 10.9 GE
0/000.460.9130 (u. 6)

1

TORN.ESP. DIN 6921 Hex.10 TX40 M8x35 Fil.25 Cal.10.9 GEOMET
0/000.460.9190 (u. 6)

CYLINDER HEAD EC/XC 300
0/005.770.9100 (u. 1)

2

CYLINDER HEAD ENDURO 250 2018
0/005.770.9101 (u. 1)

CYLINDER HEAD ENDURO 200 MY2018
0/005.770.9102 (u. 1)

PISTON RINGS SET TT 250
ME25616040 (u. 1) - 250cc

3

PISTON RINGS SET TT-300 2835CD
ME30916040 (u. 1) - 300cc

PISTON PIN CLIP SET
ME25616126 (u. 2)

4

PISTON TT 250 A
ME25616020R (u. 1) - 250cc

5A

PISTON TT 300 EC-2004
ME300416020 (u. 1) - 300cc

B TYPE PISTON 250 ENDURO
ME25616121R (u. 1) - 250cc

5B

B TYPE PISTON TT 300 71.95
ME300416121 (u. 1) - 300cc

66.36MM PISTON ENDURO C 250
ME25616122R (u. 1) - 250cc

5C

PISTON 300CC C
ME30916122R (u. 1) - 300cc

PISTON PIN TT 250
ME25616125 (u. 1)

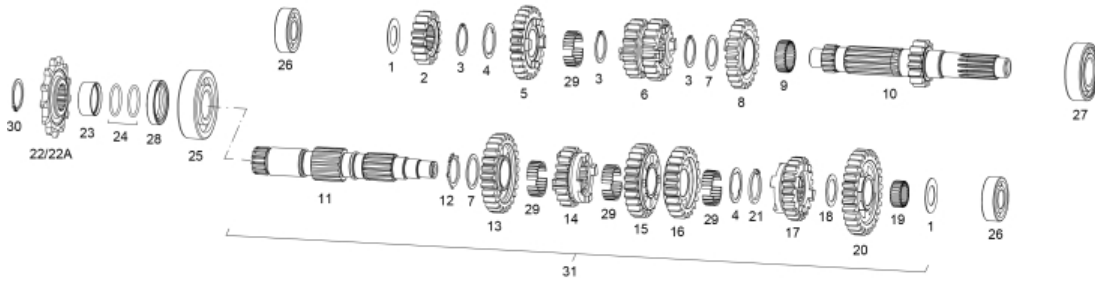
6

7	OUTER CYLINDER HEAD O-RING 107.67x1.78 0/000.490.9109 (u. 1)
8	INNER CYLINDER HEAD O-RING VITON 72.7x1.78 0/000.490.9110 (u. 1)
	INNER CYLINDER HEAD O-RING 75.92X1.78 VITON 0/000.490.9111 (u. 1)
9	CRANKCASE BREATHER TUBE (55cm) ME25610022 (u. 1)
9A	SET BLOW BY VAPOR TUBE ENDURO 2018 0/000.290.9106 (u. 1)
11	NUT DIN 6923 ZINC 8.8 10/150 C13 0/000.340.9105 (u. 4)
12	SPECIAL SCREW 12X25X1.25 THREAD 20 12.9 GEOMET 0/000.460.9114 (u. 1)
	BOLT + WASHER 5x15 DIN 6921 GEOMET 10.9 0/000.460.9115 (u. 7)
13	LEFT VALVE COVER EC 2013 0/000.350.9104 (u. 1)
14	GASKET LEFT VALVE COVER EC 2013 0/000.490.9113 (u. 1)
15	CYLINDER GASKET 0.15 ME25644010 (u. 1)
16	CYLINDER GASKET 0.5 METALLIC WITH SILICONE ENDURO 2018 0/000.490.9112 (u. 1)
16A	CYLINDER GASKET 0.3 ME25644009 (u. 1)
17	EXHAUST GASKET ME25644012 (u. 1)
18A	CRANKCASE VENT NIPPLE D.3 0/000.630.9105 (u. 2)
19	FIBER WASHER 6X10X1.5 0/000.440.9123 (u. 2)
20	EXHAUST PIPE 2005 ME250516019 (u. 1)
23	GASKET RH VALVE COVER MR 0/000.490.9124 (u. 2)
24	RIGHT VALVE COVER EC300 2014 0/000.350.9108 (u. 1)
25	SEPARATOR RH VALVE COVER MR 0/000.480.9133 (u. 1)
26	ULS TORX SCREW 6X14 DIN 7380-1 ZINC-PLATED 10.9 T0566014 (u. 3)
27	(PACK OF 5 UNITS) EXHAUST PIPE O-RING 44X3 FP (VITON) BE250526006-B (u. 2)
	Exhaust Oring Pampera BE250526006 (u. 2)
28	LONG EXHAUST VALVE SHAFT 93MM ME25616027 (u. 1)
29	SHORT EXHAUST VALVE AXIS 83MM ME25616017 (u. 1)
30	CENTRAL VALVE ENDURO 250 2018 ME72005GG-CLK-1 (u. 1)
31	RIGHT VALVE ENDURO 250 2018 ME72000GG-CLK-1 (u. 1)
32	LEFT VALVE ENDURO 250 2018 ME72010GG-CLK-1 (u. 1)

Obsolete

33	SCREW ISO 7380 Allen M5x10 Cal.10.9 WHITE ZINC PLATED 0/000.460.2000 (u. 1)
34	WASHER 5X12X1.5 DIN 125A ZINC 0/000.440.9121 (u. 1)
35	SET LEVER VALVE EXHAUST EC 2015 0/000.640.9103 (u. 1)
36	EXHAUST VALVE BEARING SPACER ME25616036 (u. 1)
37	WATER PUMP BEARING 6000 C3Z=M03313001 0/000.960.9107 (u. 1)
40	608Z C3 BEARING 0/000.960.9108 (u. 2)
41	CYLINDER HEAD GASKET KIT 300CC ME94620CT-CAB-1 (u. 1) - 300cc
	GASKET SET, CYLINDER AND HEAD, 250cc ME94620CT-BZX-1 (u. 1)
43	WASHER 6X18X1.5 DIN 9021 ZINC 0/000.440.9126 (u. 1)
44	FLAT WASHER 6x12x1.5 DIN 125 ZINC 0/000.440.9124 (u. 1)
45	COPPER WASHER 8.5x16x1.5 DIN 125 A ISO 7090 0/000.440.9130 (u. 6)
50	COMPLETE CYLINDER KIT ENDURO 200 2019 0/R05.190.9102 (u. 1)
	COMPLETE CYLINDER KIT ENDURO 300 2018 0/R05.190.9100 (u. 1)
	COMPLETE CYLINDER KIT ENDURO 250 2018 0/R05.190.9101 (u. 1)
51	COPPER WASHER 6X10X1.5 WATER PUMP BOLT 0/000.440.9122 (u. 2)
52	VENT TUBE VALVE S EC-2009 BE733001209 (u. 1)
52a	SET BLOW BY VAPOR TUBE ENDURO 2018 0/000.290.9106 (u. 1)
53	SET EXHAUST VALVE PUSHROD COMPLETE EC 2015 0/000.640.9104 (u. 1)
55	SET EXHAUST VALVE PUSHROD COMPLETE EC 2015 0/000.640.9104 (u. 1)
56	SAFETY CLIP BALL-JOINT 0/000.840.9103 (u. 1)
58	SPACER BUSHING EXHAUST VALVE BEARING 0/000.480.9124 (u. 1)

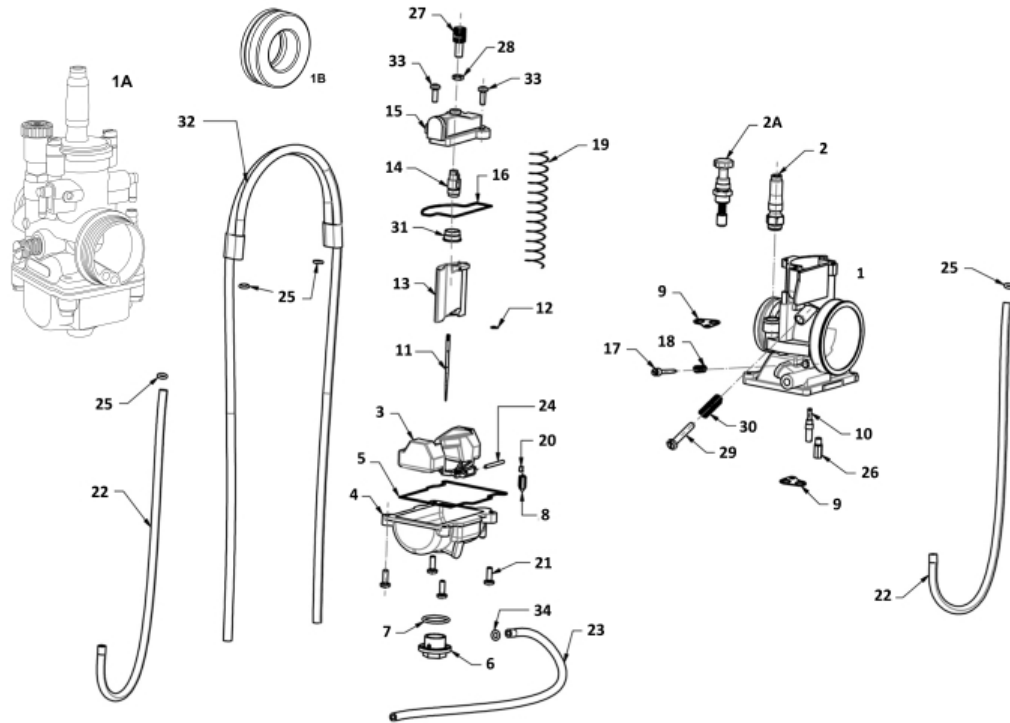
CHANGE ASSEMBLY



1	SHIFT WASHER 18X31.5X0.7 ME25636014 (u. 2)
2	PRIMARY II PINION Z-16 ME25636071 (u. 1)
3	CIRCLIP DIN 471 D.25 0/000.300.9107 (u. 3)
4	31.5X(25X22)X1 GROOVING WASHER ME25636091 (u. 2)
5	PRIMARY VI PINION Z-24 ME25636074 (u. 1)
6	PRIMARY III AND IV PINION ME25636072 (u. 1)
7	25.2X31.5X1 GEAR WASHER ME25636017 (u. 2)
8	PRIMARY V PINION Z-23 ME25636073 (u. 1)
9	NEEDLE BEARING K25-29-10 0/000.960.9104 (u. 1)
10	PRIMARY SHAFT EC 250-2002 ME250236070 (u. 1)
11	SECONDARY SHAFT EC 08 ME410002508 (u. 1)
12	DIN 983 CIRCLIP D.25 =25049255 ME25636095 (u. 1)
13	SECONDARY PINION II 7-26 ME42211GG-CSK-1 (u. 1)
14	SECONDARY VI PINION Z-19 ME42215GG-CSK-1 (u. 1)
15	SECONDARY III PINION Z-24 ME42212GG-CSK-1 (u. 1)
16	SECONDARY IV PINION Z-22 ME42213GG-CSK-1 (u. 1)
17	SECONDARY V PINION Z-21 ME42214GG-CSK-1 (u. 1)
18	20.8X29X1 GEAR WASHER ME25636016 (u. 1)
19	K20X24X10 NEEDLE BEARING 0/000.960.9114 (u. 1)

20	SECONDARY I PINION Z-29 ME42210GG-CSK-1 (u. 1)
21	CIRCLIP D.25 DIN 471 REDUCED D.2 SE03025200009 (u. 1)
22	13T OUTPUT PINION 0/005.400.9112 (u. 1)
22A	OUTPUT SPROCKET TG421X12T 0/005.400.9113 (u. 1)
22B	OUTPUT SPROCKET TG421X11T 0/005.400.9114 (u. 1)
23	OUTPUT SHAFT SEAL BUSHING 0/000.260.9100 (u. 1)
24	SHAFT O-RING 25x2 NBR 0/000.490.9107 (u. 2)
25	SHIFT BEARING 6305 C3 0/000.960.9113 (u. 1)
26	SHIFT BEARING 6203C3 0/000.960.9112 (u. 2)
27	SHIFT BEARING 6205-2RSH/C3 0/000.960.9106 (u. 1)
28	COUNTERSHAFT SEAL TC 30x40x7 DOUBLE LIP 0/000.890.9106 (u. 1)
29	KD22X25X9.8 NEEDLE CAGE GEARBOX GROUP 0/005.150.9101 (u. 4)
30	CIRCLIP DIN 471 D.25 0/000.300.9107 (u. 1)
31	GEAR SHIFT SET 0/005.400.9107 (u. 1)

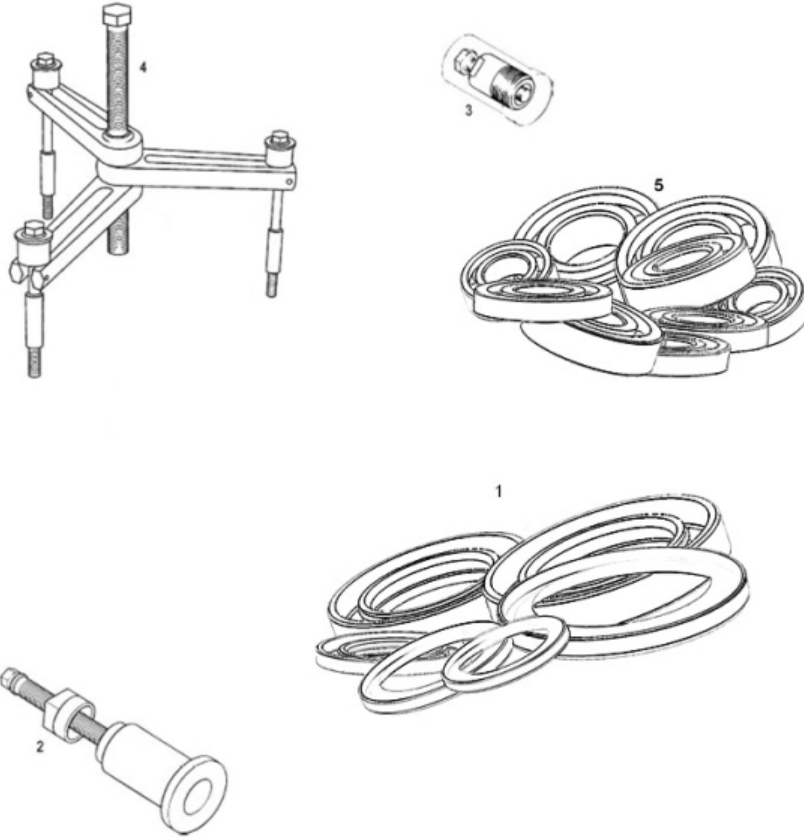
CARBURETOR



1	KEIHIN PWK 38 CARBURETTOR STARTER CONTROL 10FK-A73Z-0000 0/005.155.9100 (u. 1)
1A	CARBURETOR PHBG 21 DS ENDURO 73/33 SLIDE 40 0/005.155.9103 (u. 1)
1B	ADAPTOR CARBURETOR DELL ORTO ENDURO 2018 0/005.150.9102 (u. 1)
2	CHOKE KNOB ME25000173012 (u. 1)
2A	STARTER CONTROL 1166-818-2101 ME25690011 (u. 1)
3	FLOAT BOBBER 1052-856-2101 ME25000183012 (u. 1)
4	FLOAT BOWL 1050-898-2102 ME25000193012 (u. 1)
5	SEAL FLOAT BOWL 1051-KZ40-0001 ME25000203012 (u. 1)
6	DRAIN PAN COVER ME25690015 (u. 1)
8	FLOAT NEEDLE 1062-814-2103 ME25000213012 (u. 1)
10	SLOW JET Ø40 (PLN3721040) 0/005.991.9107 (u. 1)
10A	IDLE JET 45 0/005.991.9103 (u. 1)
10B	SLOW JET 42 N424-21042 0/005.991.9105 (u. 1)
11	KEIHIN N1EF NEEDLE 0/005.150.9100 (u. 1)
11A	NEEDLE KEIHIN N1EE (N427-1EE00) ME250290427 (u. 1)
11B	NEEDLE KEIHIN N1EG (N427-1EG00) ME250290428 (u. 1)

11C	NEEDLE NOZH N427-OZH00 ME120690435 (u. 1)	
12	NEEDLE CLIP 16115-169-0040 ME25690021 (u. 1)	
13	GATE N#6 KEIHIN 0/005.150.9105 (u. 1) - 200cc	
	GATE N#7 N502-66F00 0/005.150.9103 (u. 1)	
14	NEEDLE-CABLE HOLDER 1101-804-2001 ME25690023 (u. 1)	
15	COVER 1030-A92A-0000 ME25000243012 (u. 1)	
16	O-RING SEAL COVER 1202-882-6000 ME25000253012 (u. 1)	
17	ADJUSTMENT SCREW ME25000263012 (u. 1)	
18	SPRING AIR ADJUSTMENT SCREW 1300-416H-9900 ME25000273012 (u. 1)	
19	SPRING GATE 1290-A53-2000 ME25000283012 (u. 1)	
20	FLOAT LEVEL CLIP 0405-019-1000 ME25690027 (u. 1)	
21	BOLT.BUCKET 93500-04014-1H ME25000293012 (u. 4)	
22	VENT TUBE 0803-868-0000 ME25000303012 (u. 2)	
23	VENT TUBE-2 0803-869-0000 ME25000313012 (u. 1)	
24	FLOATING AXLE W9525-25250 ME25690033 (u. 1)	
25	CLIP VENT TUBE W9535-35000 ME25690034 (u. 4)	
26	MAIN JET Ø170 (KEA170) 0/005.991.9106 (u. 1)	
	MAIN JET #175 (99101-357-1750) 0/005.991.9104 (u. 1)	
27	CABLE TENSIONER W9581-59250 ME25000323012 (u. 1)	
28	ADJUSTING NUT CABLE 1793-130H-9900 ME25000333012 (u. 1)	
29	IDLE ADJUSTING BOLT ME25690038 (u. 1)	
30	ADJUSTING BOLT SPRING 1290-963-2000 ME25690039 (u. 1)	
31	SPRING BUSHING SET 1118-929-7000 ME25690040 (u. 1)	
32	TUBE VENTILACIÒN 0803-862-0100 ME25000343012 (u. 1)	Obsolete
33	TORNILLO DIN 912 Allen M4x10 Cal.A2 INOX 0/000.460.9223 (u. 2)	
	GATE COVER SCREW ME25000353012 (u. 2)	
34	VENT TUBE CLIP-2 W9535-25000 ME25000363012 (u. 1)	
35	STOP THROTTLE CABLE ME250690010 (u. 1)	Obsolete

ENGINE TOOLS



1	SET SEALS EC-250/300 2010 ME906002510 (u. 1)	
2	EXTRACTOR COJINETE CIGUEÑAL ME25950000 (u. 1)	Obsolete
3	FLYWHEEL PULLER TRIAL 2002 MT280234045 (u. 1)	
4	EXTRACTOR CARTER ME25950005 (u. 1)	Obsolete
5	ENGINE BEARING KIT EC 250 300 2018 ME90500CT-CLJ-1 (u. 1)	